

# DAISY SERIES INSTALLATION MANUAL



IP44	220-240V	5 YRS Warranty	7-20 WATTS
Upon request 1-10V	DALI	LOW GLARE	UGR <19

## PHYSICAL

Body	Die cast Aluminum
Finish	Polyester Powder Coated

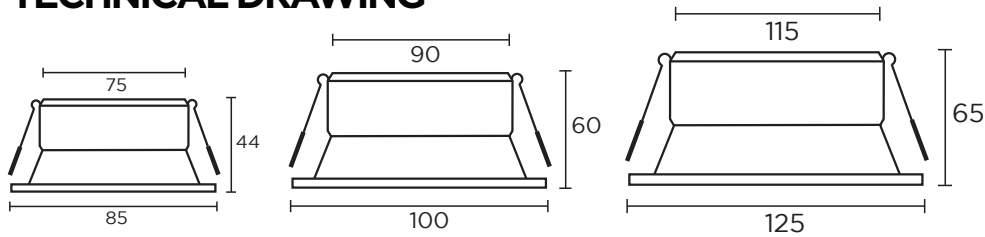
## OPTICAL

Diffuser	Polycarbonate
Beam Angle	15°,24°,36°,60°

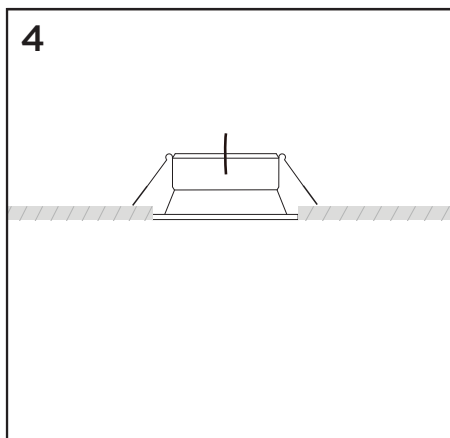
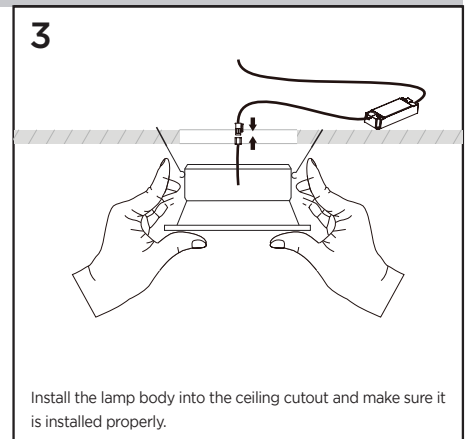
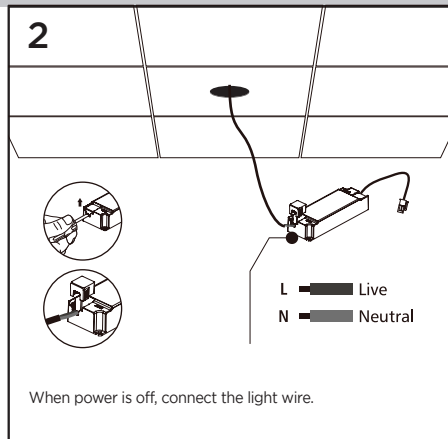
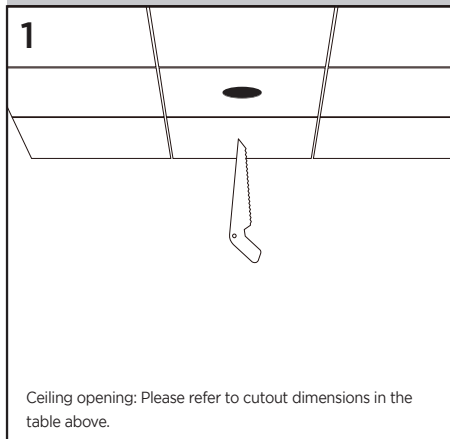
## ELECTRICAL

Light source	LED CREE
CRI	>80 (>90 available on request)
CCT	3000K-4000K-6000K
Driver	Electronic included   50-60Hz 220-240VAC Non-Dimmable Driver 1-10V dimming or DALI on request
Ambient Temp.	-20°C - 45°C

## TECHNICAL DRAWING



## RECESS MOUNTED INSTALLATION



DAISY LE HC   80lm/W					
	Rated Power(W)	Lumen (lm)	LED	Dimensions (mm)	Cut-out Dimensions (mm)
DAISY 1.1 LE HC	7W	560 lm	CREE	Ø85xH50mm	Ø75mm
DAISY 1.2 LE HC	10W	800 lm	CREE	Ø100xH60mm	Ø90mm
DAISY 1.3 LE HC	12W	960 lm	CREE	Ø100xH60mm	Ø90mm
DAISY 1.4 LE HC	20W	1600 lm	CREE	Ø125H65mm	Ø115mm

DAISY LE   90lm/W					
	Rated Power(W)	Lumen (lm)	LED	Dimensions (mm)	Dimensions (mm)
DAISY 1.1 LE	7W	630 lm	CREE	Ø85xH50mm	Ø75mm
DAISY 1.2 LE	10W	900 lm	CREE	Ø100xH60mm	Ø90mm
DAISY 1.3 LE	12W	1080 lm	CREE	Ø100xH60mm	Ø90mm
DAISY 1.4 LE	20W	1800 lm	CREE	Ø125H65mm	Ø115mm

DAISY HE HC   100lm/W					
	Rated Power(W)	Lumen (lm)	LED	Dimensions (mm)	Dimensions (mm)
DAISY 1.1 HE HC	7W	700 lm	BRIDGELUX	Ø85xH50mm	Ø75mm
DAISY 1.2 HE HC	10W	1000 lm	BRIDGELUX	Ø100xH60mm	Ø90mm
DAISY 1.3 HE HC	12W	1200 lm	BRIDGELUX	Ø100xH60mm	Ø90mm
DAISY 1.4 HE HC	20W	2000 lm	BRIDGELUX	Ø125H65mm	Ø115mm

DAISY HE   120lm/W					
	Rated Power(W)	Lumen (lm)	LED	Dimensions (mm)	Dimensions (mm)
DAISY 1.1 HE	7W	840 lm	BRIDGELUX	Ø85xH50mm	Ø75mm
DAISY 1.2 HE	10W	1200 lm	BRIDGELUX	Ø100xH60mm	Ø90mm
DAISY 1.3 HE	12W	1440 lm	BRIDGELUX	Ø100xH60mm	Ø90mm
DAISY 1.4 HE	20W	2400 lm	BRIDGELUX	Ø125H65mm	Ø115mm

#### SAFETY INSTRUCTIONS:

- Please read this instruction carefully before the commencement of installation and pass it on to the user of the equipment.
- The installation must be carried out by qualified personnel.
- Disconnect the main voltage, before starting the installation work.
- The light source of this luminaire is not replaceable when the light source reaches the end of its useful life, the entire luminaire is substituted.
- This fixture is not suitable for handheld use. It should be mounted in a fixed and safe place.
- Improper handling of the components or the luminaire itself could damage the correct function of this product, thus avoiding the manufacturer's warranty.
- Luminaire is suitable for indoor use.
- BEYOND LIGHTING FACTORY is not responsible for the improper use or modifications made to the product.
- In case the external flexible cable or cord of the fixture is damaged, to avoid danger it should only be replaced by the manufacturer or equivalent qualified personnel.
- For possible malfunctions, the defective products must be disassembled and delivered to the manufacturer company without any intervention. During the dismantling of the product, the cable insulation should not be damaged. Also, the cable should not be cut too close to the product. Enough cable should be left to take out the fixture.
- The report, which will be formed as a result of the tests to be made regarding the malfunction, will be shared with the customer, and if necessary, the product will be delivered back to the customer by eliminating the problems according to the warranty.