

# CAPORA BOLLARD SERIES



IP65	IK08	220-240V	7-15 WATTS	5 YRS Warranty
------	------	----------	------------	----------------

Upon request

1-10V	DALI
-------	------

## PHYSICAL

Body	Aluminum
Finish	Matt Black, Matt Coffee, Matt Grey, Matt Green, Grey Metal Sand Grain, Dark Grey

Coating Anti-corrosion and UV proof powder coating

Screws Stainless steel

## OPTICAL

Diffuser Frosted Polycarbonate

CRI >80

Beam angle 360°

## ELECTRICAL

Light source LED

Efficacy 70 lm/W

CCT 3000K, 4000K, 6000K

Gear Integrated LED driver | 220-240V | 50/60Hz  
DALI dimmable on request

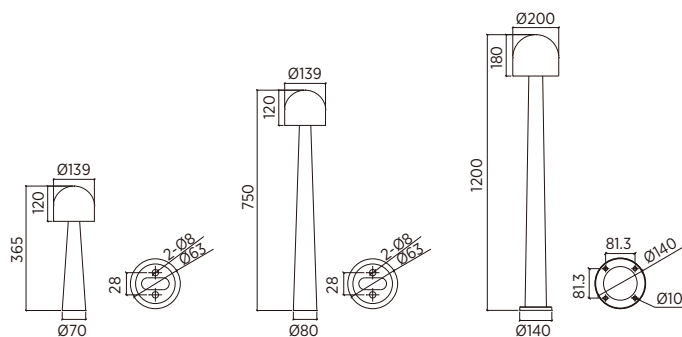
Ambient Temp. -30°C - 50°C

Ambient Humidity 10% - 90%

Light source life 50,000h

**CAPORA SERIES** bollard light combines sleek design with robust functionality, making it an ideal choice for a variety of projects. Built with an aluminum body, this bollard is not only aesthetically pleasing but also offers durability, boasting an IP65 rating for water and dust resistance and an IK08 rating for impact protection. Available in three different heights, it can be customized to suit specific lighting needs and architectural preferences. Additionally, the bollard light comes in 6 colors: Matt Black, Matt Coffee, Matt Grey, Matt Green, Grey Metal Sand Grain and Dark Grey.

Series	Power (W)	Dimensions (mm)	Lumen(lm)
CAPORA 1	7W	Ø139xH365	490lm
CAPORA 2	10W	Ø139xH750	700lm
CAPORA 3	15W	Ø200xH1200	1050lm



CAPORA 1

CAPORA 2

CAPORA 3

## ORDERING CODE

SERIES NAME - PRODUCT RANGE - FINISH - CCT - OPTICS - CONTROL - ACCESSORIES

CAPORA	1 365mm 2 750mm 3 1200mm	B Matt Black 30 3000K 360° C Matt Coffee 40 4000K G Matt Grey 60 6000K Gr Matt Green GS Grey Metal Sand Grain DG Dark Grey	1 ON-OFF 2 1-10V 3 DALI	AB ANCHOR BOLT
--------	--------------------------------	---	-------------------------------	----------------