

ASTER SERIES

INSTALLATION INSTRUCTION



IP20	220-240V	5 YRS Warranty	10-40 WATTS	LOW GLARE	UGR <19
------	----------	-------------------	----------------	--------------	------------

Upon request

1-10V	DALI
-------	------

PHYSICAL

Body	Aluminum
Finish	White/ Black

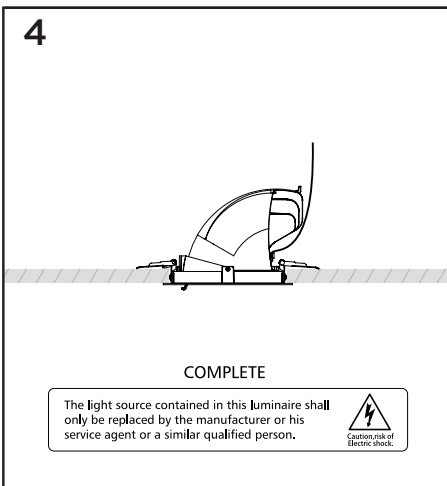
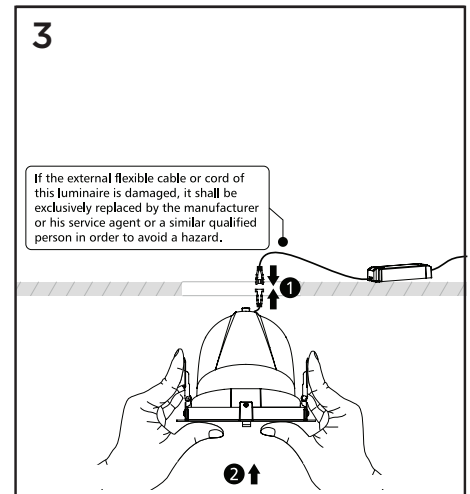
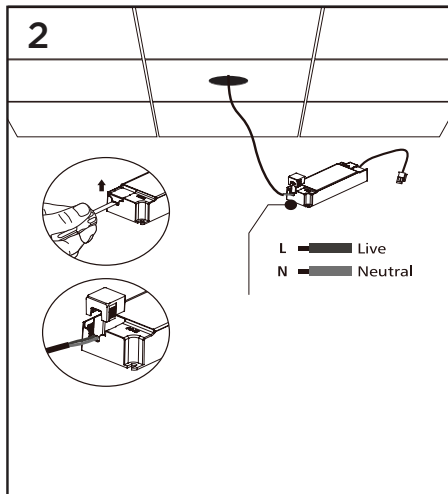
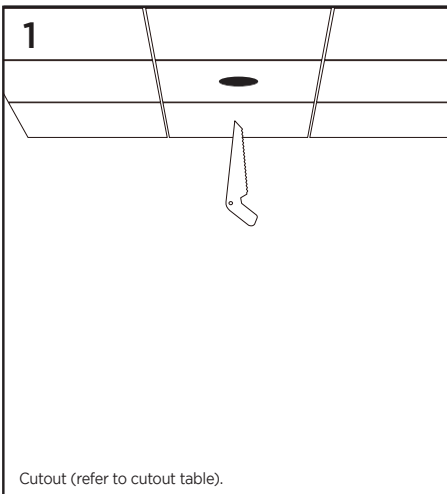
OPTICAL

Aiming	16°,30°,45°
Diffuser	Polycarbonate
CRI	>80

ELECTRICAL

Light source	LED CREE
Power	10W,22W,30W,40W
Efficacy	100lm/W
CCT	3000K, 4000K, 6000K
Driver	220-240Vac
Ambient Temp.	-30°C - +45°C
Ambient Humidity	10% - 90%
Light source Life	60,000 h

Range	Power (W)	Lumen (lm)	Dimensions (mm)	Cut-out Dimensions (mm)
ASTER 1	10W	1000lm	Ø90xH76mm	Ø85mm
ASTER 2	22W	2200lm	Ø108xH96mm	Ø95mm
ASTER 3	30W	3000lm	Ø138xH129mm	Ø125mm
ASTER 4	40W	4000lm	Ø165xH129mm	Ø150mm



SAFETY INSTRUCTIONS:

- Please read this instruction carefully before the commencement of installation and pass it on to the user of the equipment.
- The installation must be carried out by qualified personnel.
- Disconnect the main voltage, before starting the installation work.
- The light source of this luminaire is not replaceable when the light source reaches the end of its useful life, the entire luminaire is substituted.
- This fixture is not suitable for handheld use. It should be mounted in a fixed and safe place.
- Improper handling of the components or the luminaire itself could damage the correct function of this product, thus avoiding the manufacturer's warranty.
- Luminaire is suitable for indoor use.
- BEYOND LIGHTING FACTORY is not responsible for the improper use or modifications made to the product.
- In case the external flexible cable or cord of the fixture is damaged, to avoid danger it should only be replaced by the manufacturer or equivalent qualified personnel.
- For possible malfunctions, the defective products must be disassembled and delivered to the manufacturer company without any intervention. During the dismantling of the product, the cable insulation should not be damaged. Also, the cable should not be cut too close to the product. Enough cable should be left to take out the fixture.
- The report, which will be formed as a result of the tests to be made regarding the malfunction, will be shared with the customer, and if necessary, the product will be delivered back to the customer by eliminating the problems according to the warranty.