

SWEEP BOLLARD

INSTALLATION INSTRUCTION



IP66	IK09	220-240V	5 YRS Warranty	14/24 WATTS
------	------	----------	-------------------	----------------

Upon request

1-10V	DALI
-------	------

PHYSICAL

Body	Aluminum Extruded Profile
Finish	Polyester Powder Coated
Dimensions	Type I: Ø165xH500mm Type II: Ø165xH1000mm

OPTICAL

Diffuser	Clear Polycarbonate
Light distribution	Assymetric

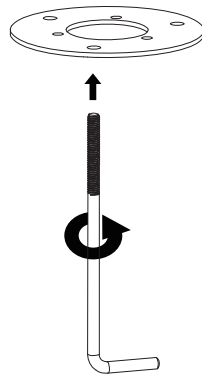
ELECTRICAL

Light source	LED
CRI	>80
CCT	3000K-4000K-5000K
Driver	Electronic included 50-60Hz 220-240VAC Non-Dimmable Driver 1-10V dimming or DALI on request
Operating Temperature	-30°C - +50°C
Humidity	10% - 90%RH

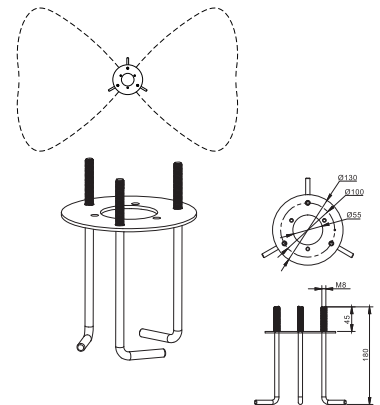
Packing list

	Base plate templates	1PCS
	Screw fixing plate	1PCS
	Screw M5*16	5PCS
	Screw M8	3PCS
	Nut M8	3PCS

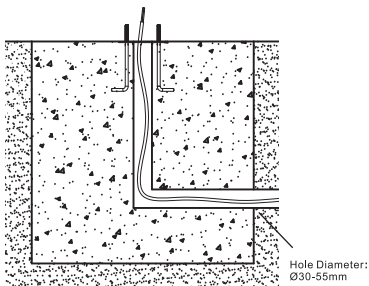
1



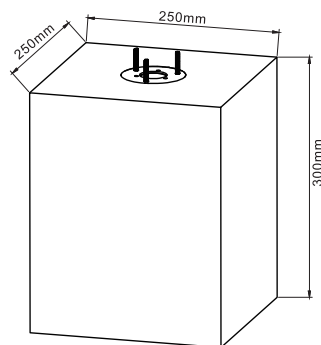
2



3

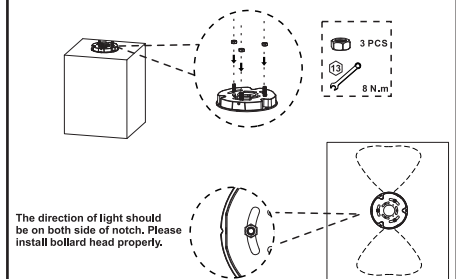


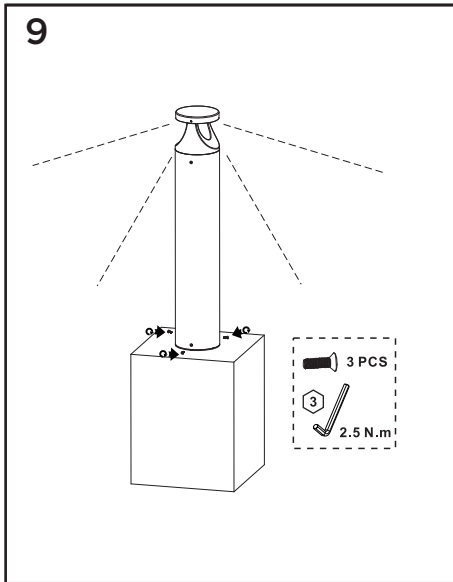
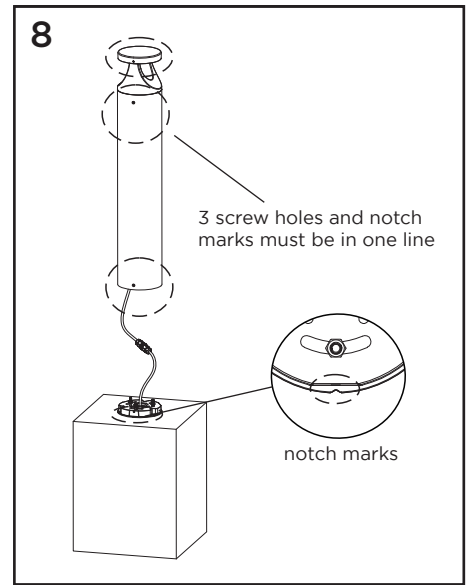
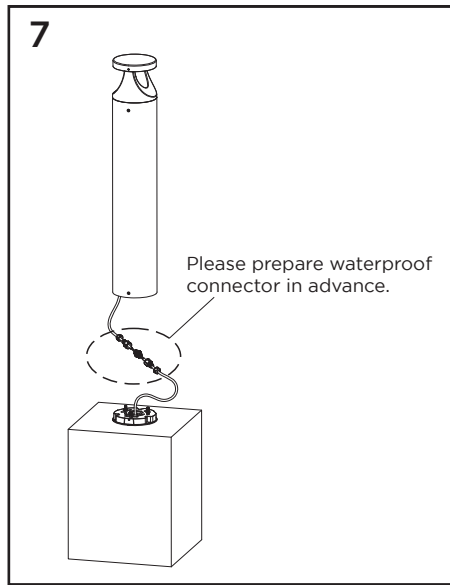
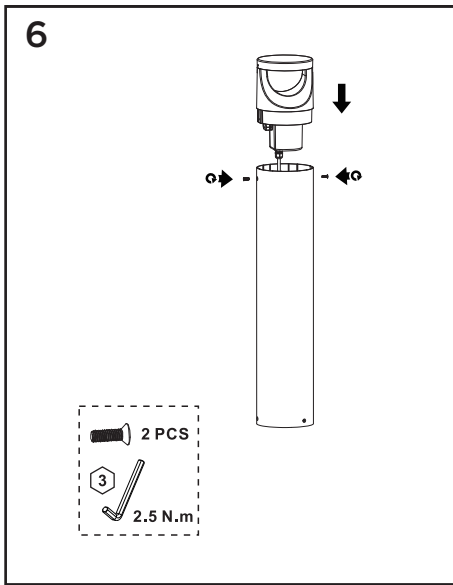
4



Suggested cement column size

5



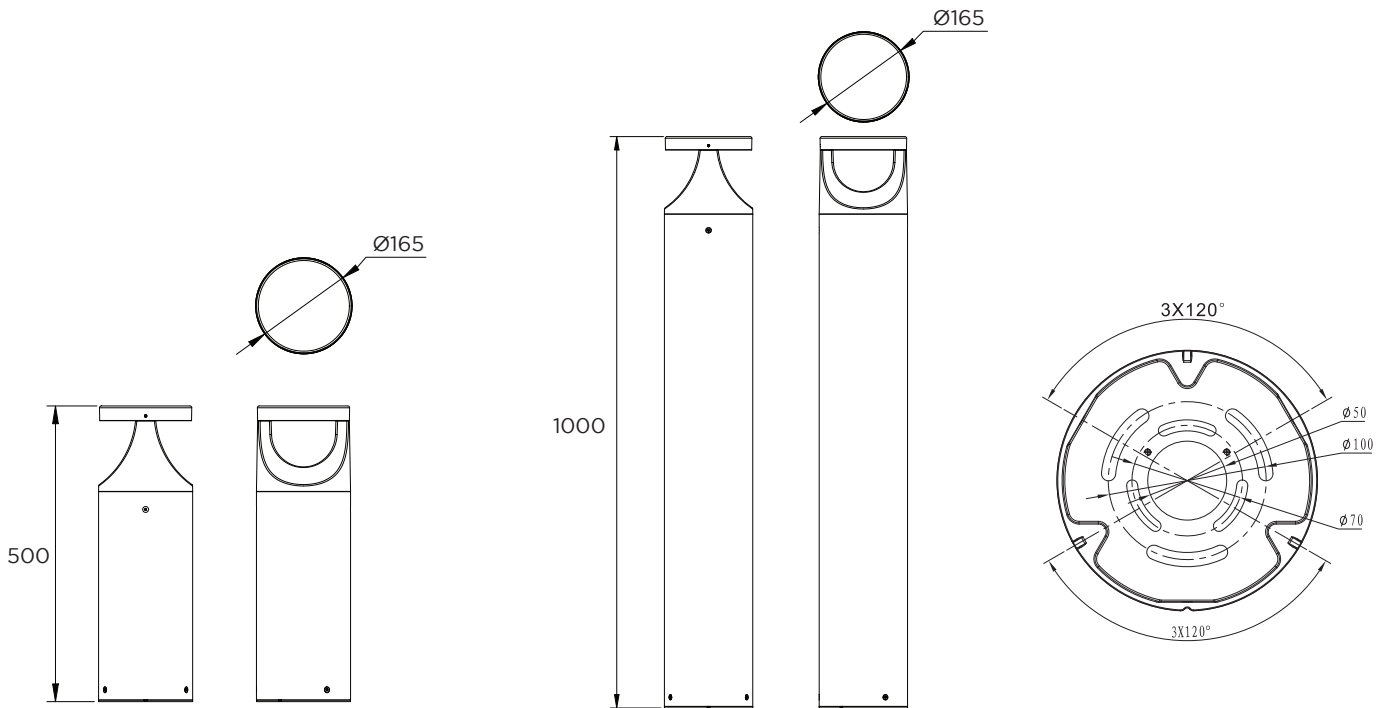


DIMMABLE

L	brown	black
N	blue	white
⊕ GND	yellow/green	green

	DIM+/DA1	purple	or	purple	or	blue	or	brown
	DIM-/DA2	gray	or	pink	or	white	or	blue
	DIM+/DA1	purple	or	purple	or	purple		
	DIM-/DA2	gray	or	pink	or	gray		
	Aux 12Vdc+	pink	or	black/white	or	black/white		

TECHNICAL DRAWING



Range	Power(W)	Lumen (lm)
SWEEP 1	14W	1190lm
SWEEP 2	24W	1920lm

SAFETY INSTRUCTIONS:

- Please read this instruction carefully before the commencement of installation and pass it on to the user of the equipment.
- The installation must be carried out by qualified personnel.
- Disconnect the main voltage, before starting the installation work.
- The light source of this luminaire is not replaceable when the light source reaches the end of its useful life, the entire luminaire is substituted.
- This fixture is not suitable for handheld use. It should be mounted in a fixed and safe place.
- Improper handling of the components or the luminaire itself could damage the correct function of this product, thus avoiding the manufacturer's warranty.
- Luminaire is suitable for outdoor use.
- BEYOND LIGHTING FACTORY is not responsible for the improper use or modifications made to the product.
- In case the external flexible cable or cord of the fixture is damaged, to avoid danger it should only be replaced by the manufacturer or equivalent qualified personnel.
- For possible malfunctions, the defective products must be disassembled and delivered to the manufacturer company without any intervention. During the dismantling of the product, the cable insulation should not be damaged. Also, the cable should not be cut too close to the product. Enough cable should be left to take out the fixture.
- The report, which will be formed as a result of the tests to be made regarding the malfunction, will be shared with the customer, and if necessary, the product will be delivered back to the customer by eliminating the problems according to the warranty.