

SWEEP SOLAR BOLLARD



Upon request



PHYSICAL

| | |
|------------|---|
| Body | Aluminum |
| Finish | Powder Coated -Black RAL 9017 |
| Dimensions | Type 1: Ø230xH400mm Type 2: Ø230xH520mm Type 3: Ø230xH920mm |

OPTICAL

| | |
|--------------------|---------------|
| Diffuser | Polycarbonate |
| Light distribution | Asymmetric |

ELECTRICAL

| | |
|-------------------|----------------------------------|
| Light source | LED |
| Power Consumption | 3W |
| Lumen | SET1 340lm/SET2 320lm/SET3 420lm |
| CRI | 80 |
| CCT | 4000K (3000K & 5000K Optional) |

SOLAR PANEL

| | |
|-------|------------------------------|
| Power | 5W |
| Type | Mono-Crystalline Solar Panel |

BATTERY

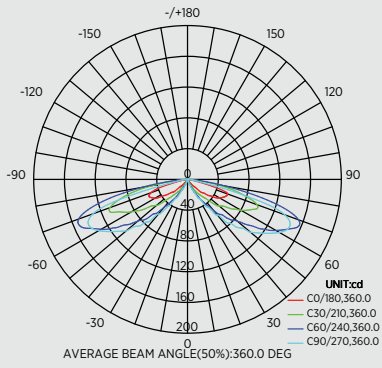
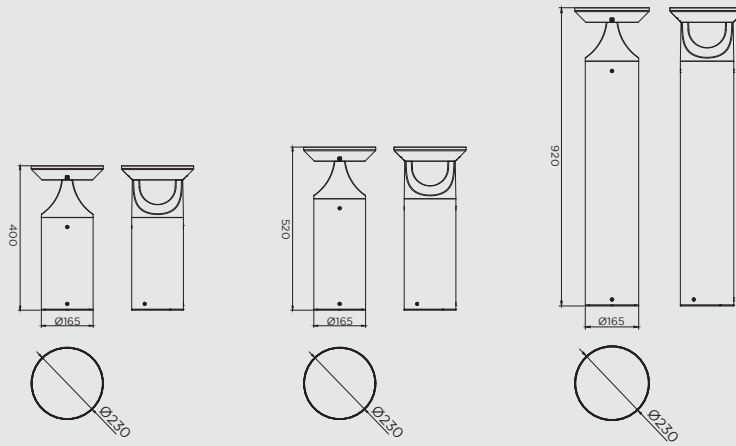
| | |
|-----------------------|--|
| Type | LifePO4 Battery |
| Capacity | 38.4Wh |
| Charging Time | >8 Hours |
| Operating Time | Normal Mode>11 Hours |
| Operating Temperature | Intelligent Mode 2-3 Days 0°C - +50°C |
| Humidity | 10% - 90%RH |

WARRANTY

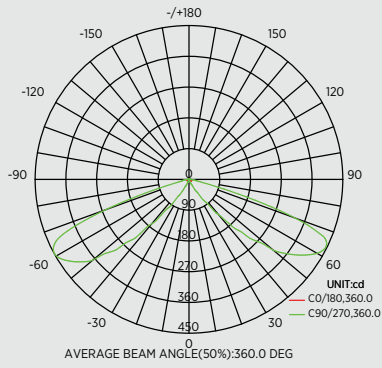
| | |
|------------------|---------|
| Battery | 3 Years |
| OtherAccessories | 5 Years |

SWEEP SOLAR bollard represents a groundbreaking LED solar bollard that has been elevated in terms of aesthetics and creativity. With an IP66 rating, a mono-crystalline solar panel, and UV-resistant PC material, this bollard, featuring an architectural design, has gained significant popularity in various settings such as pathways, gardens, sidewalks, buildings and more.

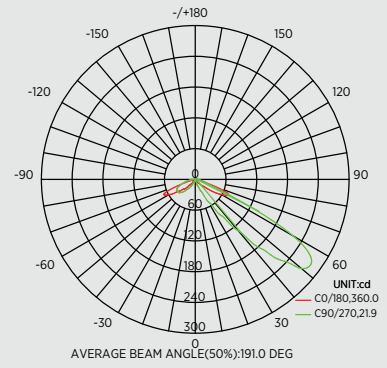
Key Features: IP66 & IK07, unique and elegant appearance, professional SET1,SET2,SET3 Lighting distribution, high efficiency mono-crystalline solar panel, long lifespan LifePO4 Battery, 8 hour charging, working 2-3 days.



SET1



SET2



SET3

WORKING MODE

| Lighting Scheme | Time 1 | Time 2 | Time 3 | Time 4 | Time 5 | Energy consumption | Working hours in rainy days |
|--------------------------------|---------|---------|---------|---------|---------|--------------------|-----------------------------|
| 1 (Factory default) | 6Hx30% | 0Hx100% | 0Hx100% | TOTx0% | 1Hx30% | 7.4Wh | 4-5 Days |
| 2 (Customized lighting scheme) | 6Hx30% | 6Hx30% | 0Hx100% | 0Hx0% | 0Hx100% | 12.6Wh | 3-4 Days |
| 3 (Customized lighting scheme) | 6Hx50% | 6Hx30% | 0Hx100% | 0Hx0% | 0Hx100% | 16.8Wh | 2-3 Days |
| 4 (Customized lighting scheme) | 4Hx70% | 4Hx30% | 4Hx30% | 0Hx0% | 0Hx100% | 18.2Wh | 1-2 Days |
| 5 (Customized lighting scheme) | 4Hx100% | 2Hx50% | 0Hx100% | 0Hx0% | 0Hx100% | 17.5Wh | 2-3 Days |
| 6 (Customized lighting scheme) | 2Hx50% | 4Hx30% | 0Hx100% | TOTx20% | 1Hx30% | 12.3Wh | 3-4 Days |
| 7 (Customized lighting scheme) | 4Hx80% | 2Hx30% | 0Hx100% | TOTx0% | 1Hx80% | 16.1Wh | 2-3 Days |

*The table of rainy days is for reference only, the actual working days is subject to the local sunshine conditions.

ORDERING CODE

SERIES NAME - PRODUCT RANGE - CCT - OPTICS - CONTROL

| | | | | |
|-------------|--------|----------|--------|----------|
| SWEEP SOLAR | 1 0.4m | 30 3000K | 1 SET1 | 1 ON-OFF |
| | 2 0.5m | 40 4000K | 2 SET2 | |
| | 3 0.9m | 50 5000K | 3 SET3 | |