

EQUILIBRIUM BOLLARD



IP66	IK10	220-240V	5 YRS Warranty	15/25 WATTS
------	------	----------	----------------	-------------

Upon request

1-10V	DALI
-------	------

PHYSICAL

Body	Die-casting aluminum
Finish	Polyester Powder Coated
Dimensions	Type I: Ø135xH500mm Type II: Ø135xH1000mm

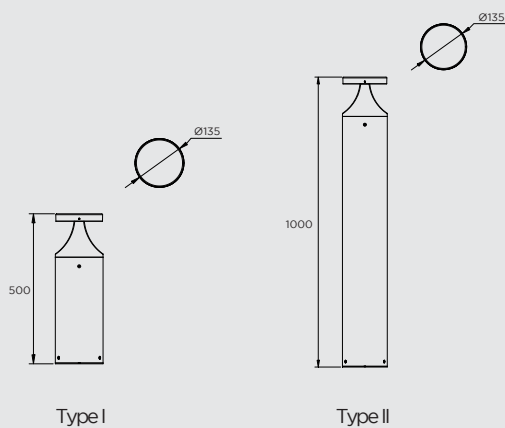
OPTICAL

Diffuser	Clear Polycarbonate
Light distribution	Assymetric

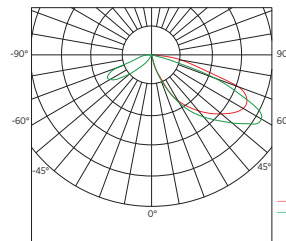
ELECTRICAL

Light source	LED
CRI	>80
CCT	3000K-4000K-5000K
Driver	Electronic included 50-60Hz 220-240VAC Non-Dimmable Driver 1-10V dimming or DALI on request
Operating Temperature	-20°C - + 45°C
Humidity	10% - 90%RH

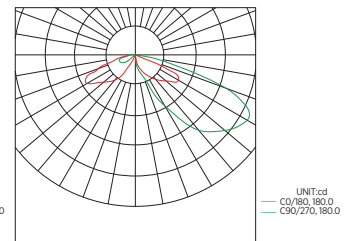
EQUILIBRIUM BOLLARD series not only showcases the exquisite art of light but also maximizes the utilization of lumens by ensuring that no front projection light is blocked. The fixture boasts a refined and polished body, exuding an air of sophistication. Additionally, the design incorporates a discreet approach with no exposed screws, contributing to its overall sleek and elegant appearance.



AVAILABLE OPTICS



TYPE V



TYPE IV

ORDERING CODE

SERIES NAME - PRODUCT RANGE - HEIGHT - CCT - OPTICS - CONTROL

EQUILIBRIUM	I 2	I TYPE I II TYPE II	30 3000K 40 4000K 50 5000K	I TYPE V 2 TYPE IV	1 ON-OFF 2 1-10V 3 DALI
-------------	--------	------------------------	----------------------------------	-----------------------	-------------------------------