

ZEKREET SERIES (Screwless)

INSTALLATION INSTRUCTION



LOW
GLARE

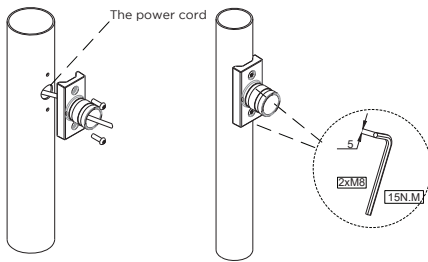
IP66	IK08	220-240V	5 YRS Warranty	6-80 WATTS
Upon request				
1-10V	DALI	RGB	RGBW	DMX

PHYSICAL	
Body	Aluminum
Finish	Powder coating
OPTICAL	
Diffuser	19mm Toughened Glass
Light Emission	Symmetrical
Aiming	Fixed
CRI	>80
ELECTRICAL	
Driver	Integrated LED driver 220-240V 50/60Hz
Ambient Temp.	-25°C - 50°C
Ambient Humidity	10% - 90%

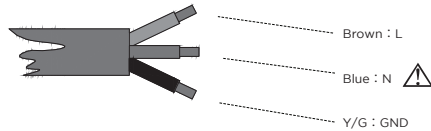
INSTALLATION METHOD

Dimensions in millimeters.

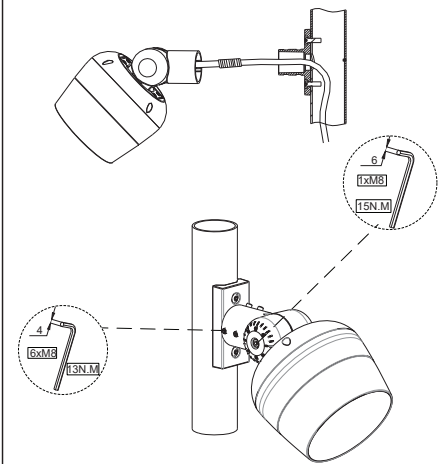
1



2

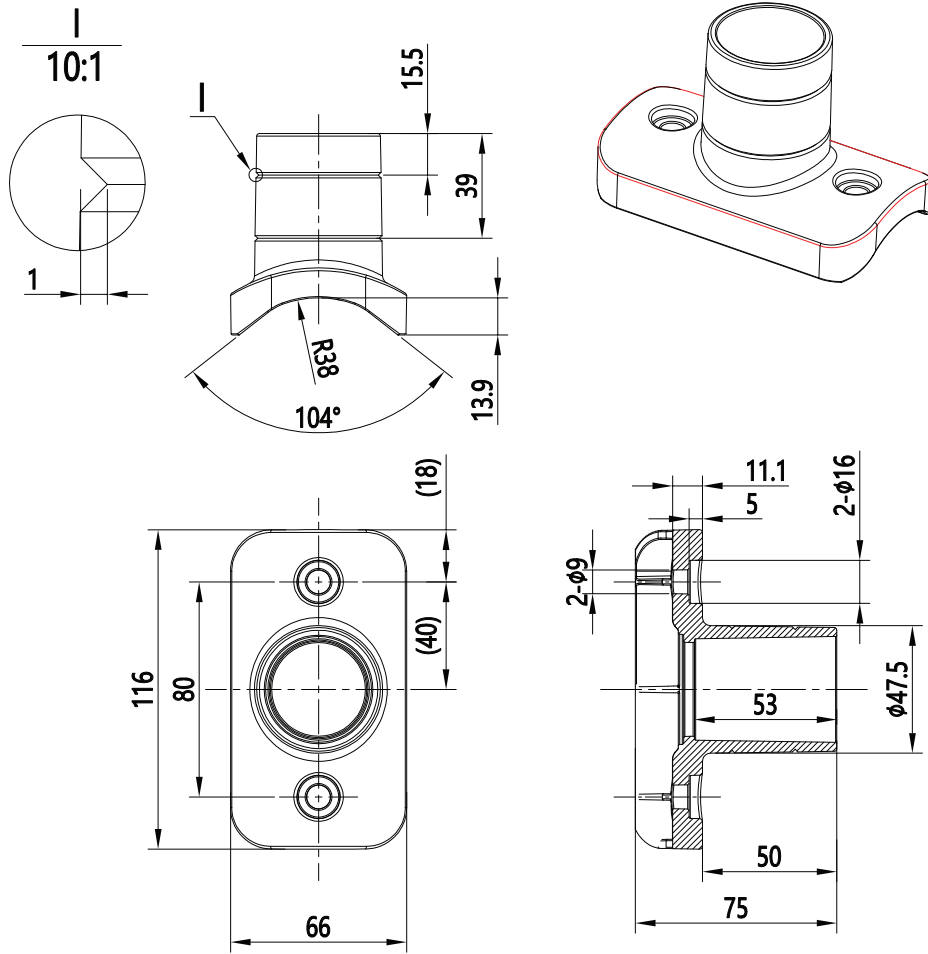


3

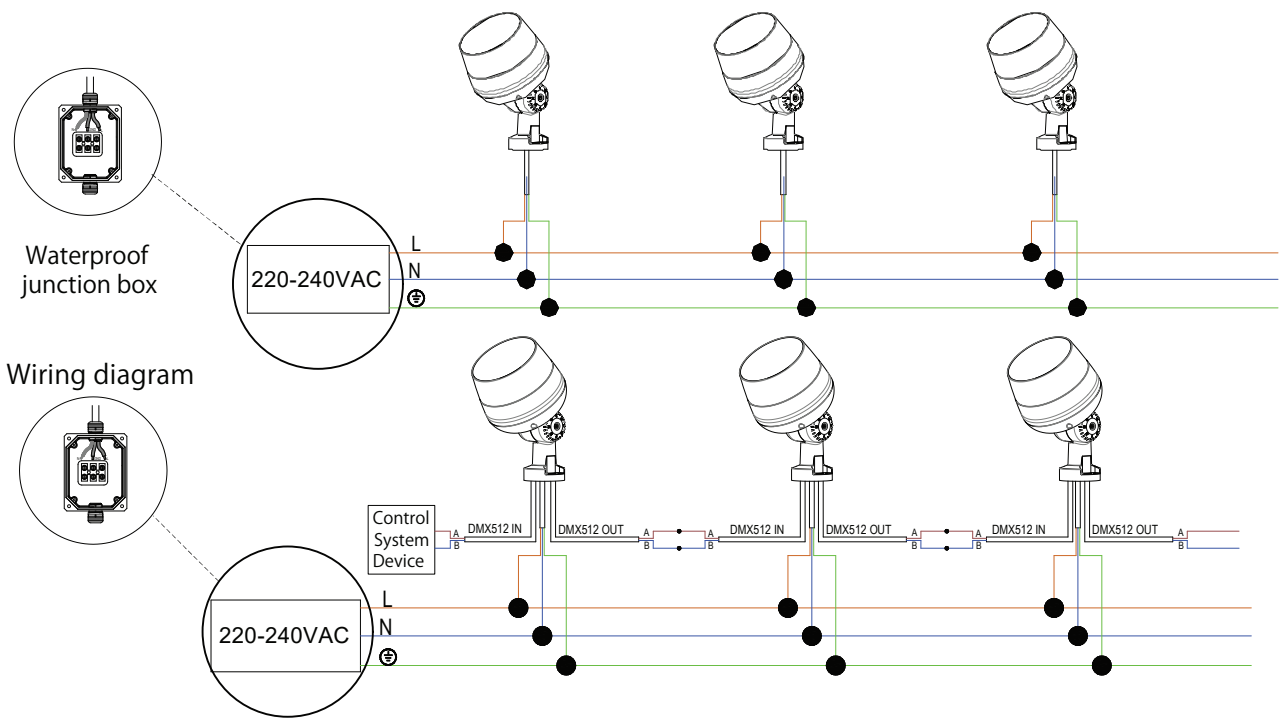


POLE ADAPTOR DETAILS

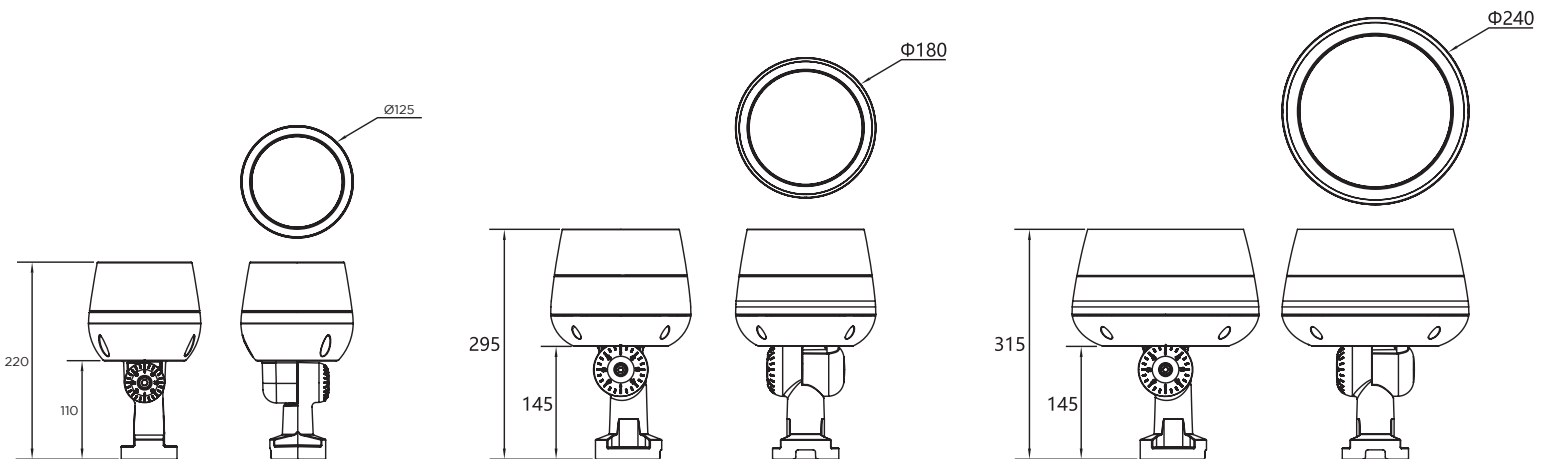
Dimensions in millimeters.
Suitable for pole diameter from 60 to 108 mm.



WIRING DIAGRAM



TECHNICAL DRAWING



SAFETY INSTRUCTIONS:

- Please read this instruction carefully before the commencement of installation and pass it on to the user of the equipment.
- The installation must be carried out by qualified personnel.
- Disconnect the main voltage, before starting the installation work.
- The light source of this luminaire is not replaceable when the light source reaches the end of its useful life, the entire luminaire is substituted.
- This fixture is not suitable for handheld use. It should be mounted in a fixed and safe place.
- Improper handling of the components or the luminaire itself could damage the correct function of this product, thus avoiding the manufacturer's warranty.
- Luminaire is suitable for outdoor use.
- BEYOND LIGHTING FACTORY is not responsible for the improper use or modifications made to the product.
- In case the external flexible cable or cord of the fixture is damaged, to avoid danger it should only be replaced by the manufacturer or equivalent qualified personnel.
- In case of possible malfunctions, the defective products must be disassembled and delivered to the manufacturer company without any intervention. During the dismantling of the product, the cable insulation should not be damaged. Also, the cable should not be cut too close to the product. Enough cable should be left to take out the fixture.
- The report, which will be formed as a result of the tests to be made regarding the malfunction, will be shared with the customer, and if necessary, the product will be delivered back to the customer by eliminating the problems according to the warranty.