

ZEKREET MULTI POLE



IP66	IK08	220-240V	5 YRS Warranty	6-80 WATTS
------	------	----------	-------------------	---------------

Upon request

1-10V	DALI	RGB	RGBW	DMX
-------	------	-----	------	-----

PHYSICAL

Body	Aluminum
Finish	Powder coating
Dimensions	L200xW100xH3000mm

OPTICAL

Diffuser	19mm Toughened Glass
Light Emission	Symmetrical
Aiming	Fixed
CRI	>80

ELECTRICAL

Driver	Integrated LED driver 220-240V 50/60Hz
Ambient Temp.	-25°C ~ 50°C
Ambient Humidity	10% ~ 90%

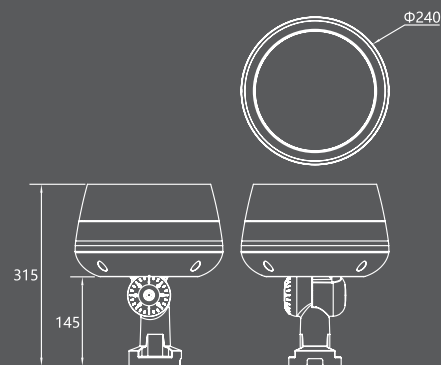
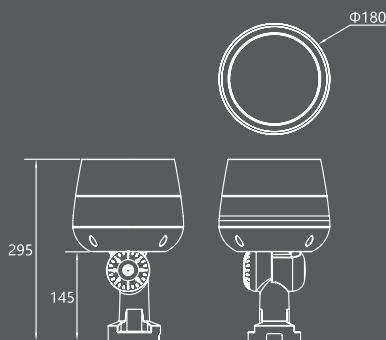
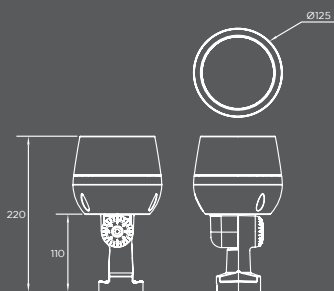
ZEKREET MULTI POLE is an example of sophistication and functionality in outdoor lighting, it features multiple spotlights strategically positioned on the pole, offering illumination in multiple directions. The seamless integration of these spotlights ensures a comprehensive lighting solution, brightening up every corner with precision and flair. Beyond its exceptional functionality, it stands as a testament to exquisite design, seamlessly blending aesthetics and practicality. Its contemporary form adds a touch of elegance to any environment, making it not just a lighting solution but a statement piece that enhances the visual appearance of outdoor spaces.



ZEKREET 1

ZEKREET 2

ZEKREET 3



PRODUCT RANGE

	Rated Power(W)	Lumen(lm)	Dimensions(mm)	LED Quantity(pcs)	Beam angle	CCT(K)
ZEKREET 1.1	6W	295lm	Ø125xH220	3 pcs	7°,15°,25°,40°,60°	3000K,4000K
ZEKREET 1.2	8W	430/550lm	Ø125xH220	3 pcs	3.5°,5°	3000K,4000K
ZEKREET 1.3	8W	610lm	Ø125xH220	6 pcs	7°,15°,25°,40°,60°	3000K,4000K
ZEKREET 1.4	10W	895lm	Ø125xH220	9 pcs	7°,15°,25°,40°,60°	3000K,4000K
ZEKREET 1.5	15W	1345lm	Ø125xH220	9 pcs	7°,15°,25°,40°,60°	3000K,4000K
ZEKREET 1.6	18W	1614lm	Ø125xH220	9 pcs	7°,15°,25°,40°,60°	3000K,4000K
ZEKREET 2.1	11W	910lm	Ø180xH295	9 pcs	7°,15°,25°,40°,60°	3000K,4000K(RGB)
ZEKREET 2.2	14W	1203lm	Ø180xH295	12 pcs	7°,15°,25°,40°,60°	3000K,4000K(RGB)
ZEKREET 2.3	21W	1278lm	Ø180xH295	9 pcs	3.5°	3000K,4000K(RGB)
ZEKREET 2.4	21W	1598lm	Ø180xH295	9 pcs	7°,15°,25°,40°,60°	3000K,4000K(RGB)
ZEKREET 2.5	21W	1815lm	Ø180xH295	18 pcs	7°,15°,25°,40°,60°	3000K,4000K(RGB)
ZEKREET 2.6	28W	2165lm	Ø180xH295	12 pcs	7°,15°,25°,40°,60°	3000K,4000K(RGB)
ZEKREET 2.7	30W	2476lm	Ø180xH295	9 pcs	5°	3000K,4000K(RGB)
ZEKREET 2.8	42W	3283lm	Ø180xH295	18 pcs	7°,15°,25°,40°,60°	3000K,4000K(RGB)
ZEKREET 3.1	40W	2510lm	Ø240xH315	18 pcs	3.5°	3000K,4000K(RGB)
ZEKREET 3.2	60W	4370lm	Ø240xH315	18 pcs	5°	3000K,4000K(RGB)
ZEKREET 3.3	60W	4558lm	Ø240xH315	24 pcs	15°,25°,40°,60°	3000K,4000K(RGBW)
ZEKREET 3.4	72W	5429lm	Ø240xH315	24 pcs	15°,25°,40°,60°	3000K,4000K(RGBW)
ZEKREET 3.5	80W	6516lm	Ø240xH315	24 pcs	15°,25°,40°,60°	3000K,4000K(RGBW)

ORDERING CODE

SERIES NAME - PRODUCT RANGE - CCT - OPTICS - CONTROL

ZEKREET	1.1	30 3000K	0.3 3,5°	1 ON-OFF
	1.2	40 4000K	05 5°	2 1-10V
	1.3	RGB	07 7°	3 DALI
	1.4	RGBW	15 15°	4 DMX/RDM
	1.5		25 25°	
	1.6		40 40°	
	2.1		60 60°	
	2.2			
	2.3			
	2.4			
	2.5			
	2.6			
	2.7			
	2.8			
	3.1			
	3.2			
	3.3			
	3.4			
	3.5			