

VINCA ROUND SERIES

INSTALLATION INSTRUCTION



IP40 IP54	220-240V	5 YRS Warranty	7-35 WATTS
Upon request			
1-10V	TRIAC		

PHYSICAL

Body	Aluminum die-casting
Finish	White RAL 9016 /Black RAL9005

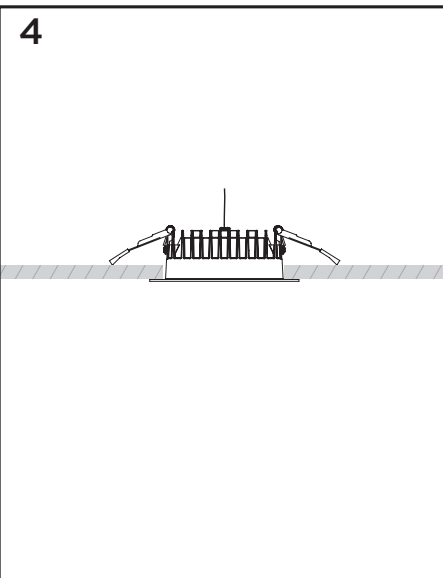
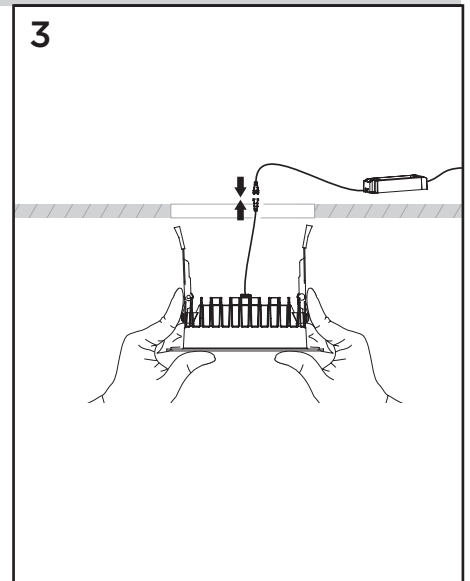
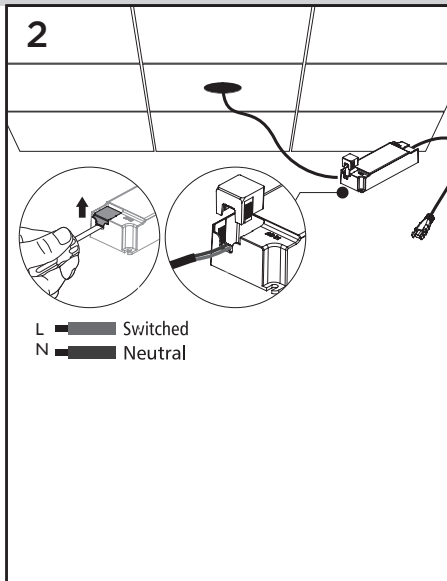
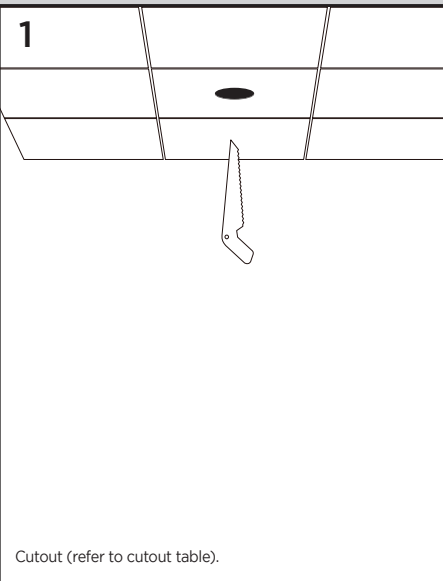
OPTICAL

Diffuser	Polycarbonate
Light Emission	Direct
Beam Angle	90°

ELECTRICAL

Light source	LED
CRI	>80
CCT	3000K - 4000K - 5000K - 5700K
Driver	Electronic included 50-60Hz 220-240VAC Non-Dimmable Driver 1-10V dimming or TRIAC on request
Ambient Temp.	-20°C ~ 40°C

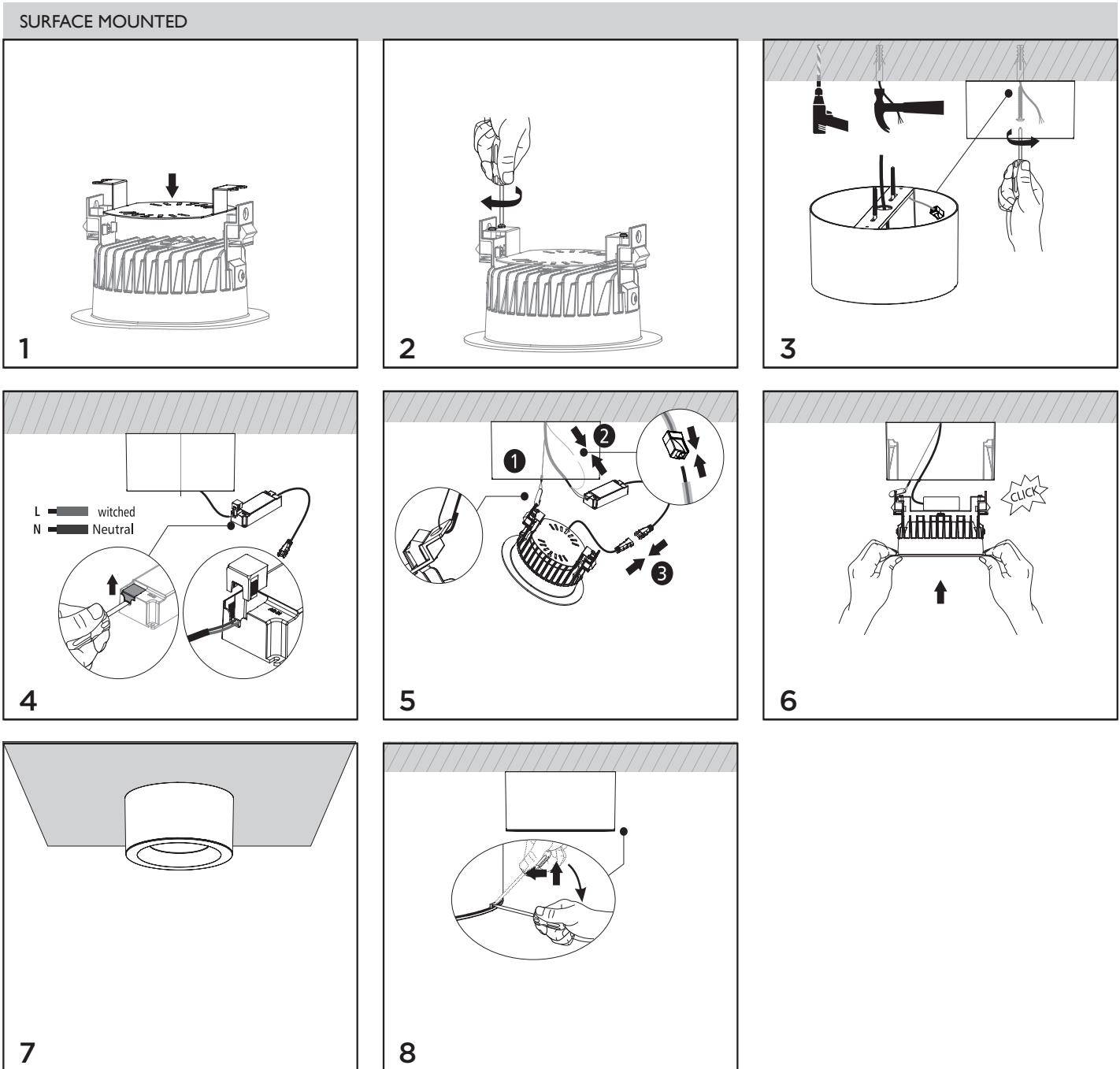
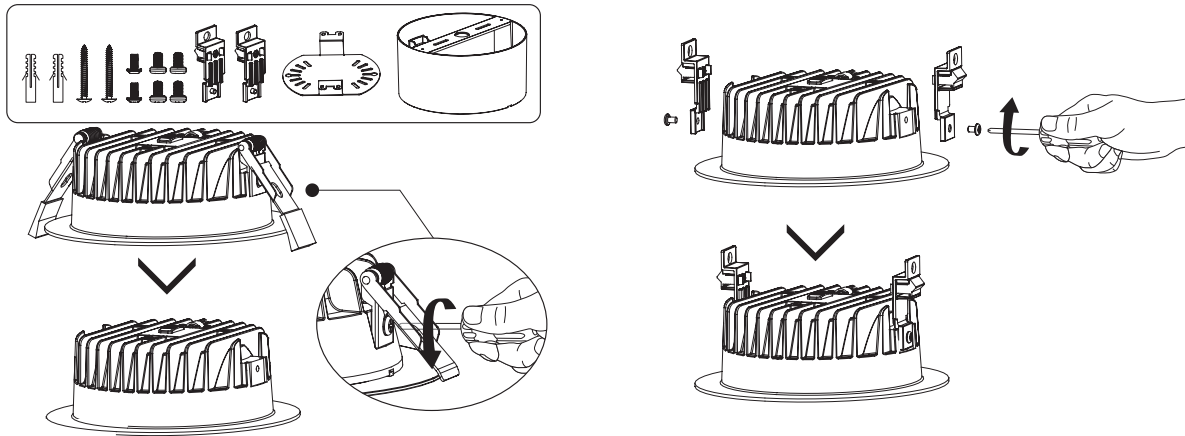
RECESS MOUNTED



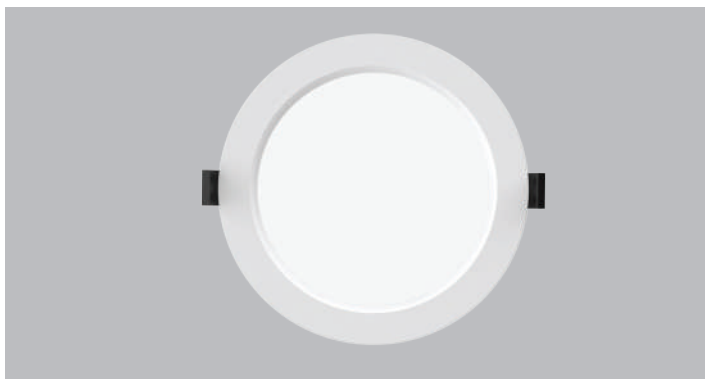
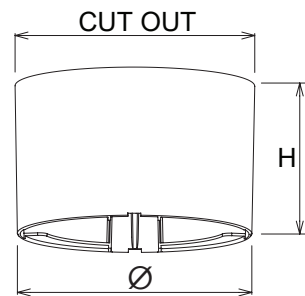
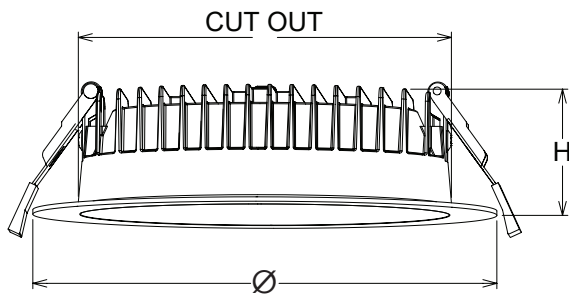
PRODUCT RANGE

	Rated Power(W)	Lumen(lm)	Dimensions(mm)	Cut out dimensions(mm)
VINCA 1.1	7W	630lm	Ø85xH49	Ø65-75
VINCA 1.2	10W	940lm	Ø110xH52	Ø90-95
VINCA 1.3	12W	1250lm	Ø145xH53	Ø120-130
VINCA 1.3.1	18W	1810lm	Ø145xH53	Ø120-130
VINCA 1.4	18W	2000lm	Ø170xH53	Ø140-150
VINCA 1.4.1	25W	2500lm	Ø170xH53	Ø140-150
VINCA 1.5	18W	2000lm	Ø190xH53	Ø160-170
VINCA 1.5.1	25W	2500lm	Ø190xH53	Ø160-170
VINCA 1.6	15W	2130lm	Ø228xH53	Ø200-210
VINCA 1.6.1	25W	2910lm	Ø228xH53	Ø200-210
VINCA 1.6.2	35W	4040lm	Ø228xH53	Ø200-210

SCREW SURFACE MOUNTED INSTALLATION



TECHNICAL DRAWING



SAFETY INSTRUCTIONS:

- Please read this instruction carefully before the commencement of installation and pass it on to the user of the equipment.
- The installation must be carried out by qualified personnel.
- Disconnect the main voltage, before starting the installation work.
- The light source of this luminaire is not replaceable when the light source reaches the end of its useful life, the entire luminaire is substituted.
- This fixture is not suitable for handheld use. It should be mounted in a fixed and safe place.
- Improper handling of the components or the luminaire itself could damage the correct function of this product, thus avoiding the manufacturer's warranty.
- Luminaire is suitable for indoor use.
- BEYOND LIGHTING FACTORY is not responsible for the improper use or modifications made to the product.
- In case the external flexible cable or cord of the fixture is damaged, to avoid danger it should only be replaced by the manufacturer or equivalent qualified personnel.
- For possible malfunctions, the defective products must be disassembled and delivered to the manufacturer company without any intervention. During the dismantling of the product, the cable insulation should not be damaged. Also, the cable should not be cut too close to the product. Enough cable should be left to take out the fixture.
- The report, which will be formed as a result of the tests to be made regarding the malfunction, will be shared with the customer, and if necessary, the product will be delivered back to the customer by eliminating the problems according to the warranty.