

# TULIP SERIES

## INSTALLATION INSTRUCTION



<b>IP44</b>	220-240V	5 YRS Warranty	6-35 WATTS
Upon request			
1-10V	DALI		

### PHYSICAL

Body	Die cast aluminum
Finish	White RAL 9016

### OPTICAL

Diffuser	Polycarbonate
Light Emission	Symmetrical
Aiming	Fixed
Beam Angle	15°, 24°, 36°

### ELECTRICAL

Light source	LED CREE
CRI	>80 (90 available upon request)
CCT	3000K - 4000K - 6000K
Driver	Electronic included   50-60Hz 220-240VAC Non-Dimmable Driver 1-10V dimming or DALI on request
Ambient Temp.	-20°C ~ 45°C

### RECESS MOUNTED INSTALLATION

**1**

Ceiling opening: Please refer to cutout dimensions in the table above.

**2**

When power is off, connect the light wire.

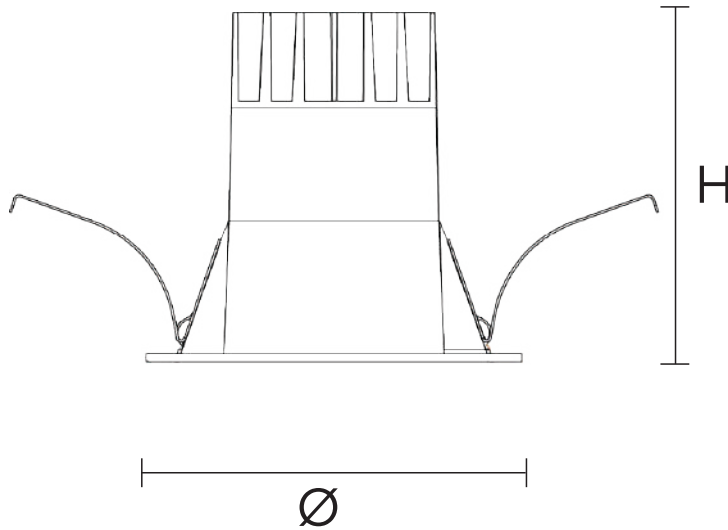
L — Live  
N — Neutral

**3**

Install the lamp body into the ceiling cutout and make sure it is installed properly.

**4**

# TECHNICAL DRAWING



## PRODUCT RANGE

	Rated Power(W)	Lumen(lm)	Beam Angle	Dimensions(mm)	Dimensions(mm)
TULIP 1.1 (Lens)	6W	510lm	15°,24°,36°	Ø52.5xH55	Ø45xH55
TULIP 1.2 (Reflector Cup)	7W	595lm	15°,24°,36°	Ø52.5xH55	Ø45xH55
TULIP 2.1 (Lens)	8W	680lm	15°,24°,36°,50°	Ø65xH60	Ø55xH60
TULIP 2.2 (Reflector Cup)	10W	850lm	15°,24°,36°	Ø65xH60	Ø55xH60
TULIP 3.1 (Lens)	10W	850lm	15°,24°,36°,50°	Ø75xH70	Ø65xH70
TULIP 3.2 (Reflector Cup)	13W	1105lm	15°,24°,36°	Ø75xH70	Ø65xH70
TULIP 4.1 (Lens)	12W	1020lm	15°,24°,36°,50°	Ø85xH80	Ø75xH80
TULIP 4.2 (Reflector Cup)	18W	1530lm	15°,24°,36°	Ø85xH80	Ø75xH80
TULIP 5.1 (Lens)	20W	1700lm	15°,24°,36°,50°	Ø106xH100	Ø95xH100
TULIP 5.2 (Reflector Cup)	25W	2125lm	15°,24°,36°	Ø106xH100	Ø95xH100
TULIP 6.1 (Lens)	35W	2975lm	15°,24°,36°,50°	Ø135xH124	Ø120xH124
TULIP 6.2 (Reflector Cup)	40W	3400lm	15°,24°,36°	Ø135xH124	Ø120xH124

## SAFETY INSTRUCTIONS:

- Please read this instruction carefully before the commencement of installation and pass it on to the user of the equipment.
- The installation must be carried out by qualified personnel.
- Disconnect the main voltage, before starting the installation work.
- The light source of this luminaire is not replaceable when the light source reaches the end of its useful life, the entire luminaire is substituted.
- This fixture is not suitable for handheld use. It should be mounted in a fixed and safe place.
- Improper handling of the components or the luminaire itself could damage the correct function of this product, thus avoiding the manufacturer's warranty.
- Luminaire is suitable for indoor use.
- BEYOND LIGHTING FACTORY is not responsible for the improper use or modifications made to the product.
- In case the external flexible cable or cord of the fixture is damaged, to avoid danger it should only be replaced by the manufacturer or equivalent qualified personnel.
- For possible malfunctions, the defective products must be disassembled and delivered to the manufacturer company without any intervention. During the dismantling of the product, the cable insulation should not be damaged. Also, the cable should not be cut too close to the product. Enough cable should be left to take out the fixture.
- The report, which will be formed as a result of the tests to be made regarding the malfunction, will be shared with the customer, and if necessary, the product will be delivered back to the customer by eliminating the problems according to the warranty.