

TORCH POLE

INSTALLATION INSTRUCTION



IP66	IK08	220-240V	5 YRS Warranty	40-100 WATTS
Upon request				
1-10V	DALI			

PHYSICAL

Body	Die Casting Aluminum
Finish	Powder coating
Dimensions	ø450xH526mm

OPTICAL

Diffuser	Tempered glass and PC optical lens
Light distribution	7 optics lens for optional

ELECTRICAL

Light source	LED
CRI	>70
CCT	3000K, 4000K, 5000K
Driver	Electronic included 50-60Hz 220-240VAC Non-Dimmable Driver 1-10V dimming or DALI on request
Operating Temperature	-30°C ~ +50°C
Humidity	10% - 90%RH

Range	Power (W)	Lumen (lm)
TORCH POLE 1	40W	4800lm
TORCH POLE 2	60W	7200lm
TORCH POLE 3	75W	9000lm
TORCH POLE 3	100W	12000lm

1

Place the luminaire head to the post using 4 allen key screws.

2

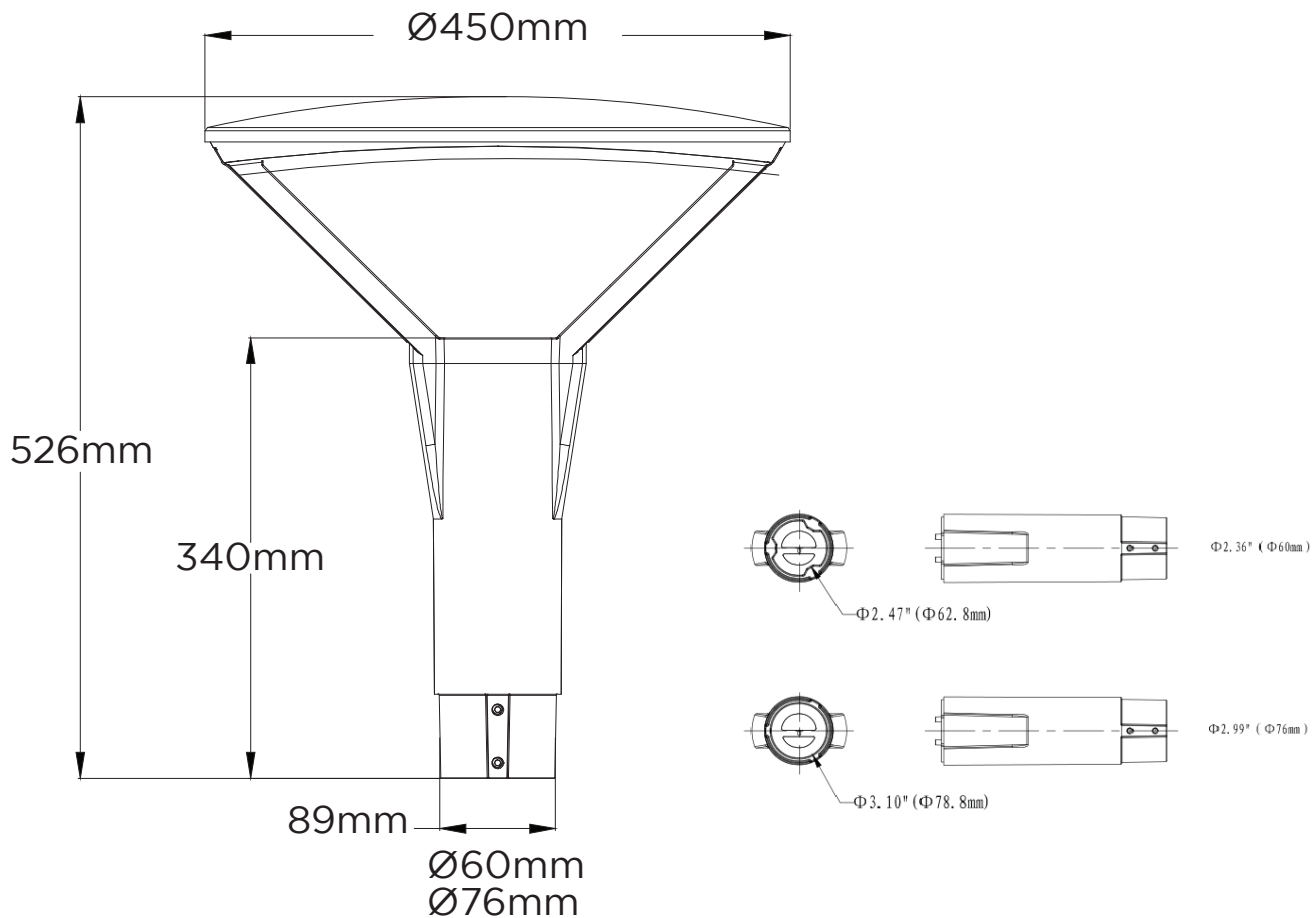
Connect the luminaire cable to the power supply cable with the use of an IP68 connector or special insulation material.

Caution, risk of electric shock

3

Fix the luminaire to the pole using 2 allen key screws.

TECHNICAL DRAWING



SAFETY INSTRUCTIONS:

- Please read this instruction carefully before the commencement of installation and pass it on to the user of the equipment.
- The installation must be carried out by qualified personnel.
- Disconnect the main voltage, before starting the installation work.
- The light source of this luminaire is not replaceable when the light source reaches the end of its useful life, the entire luminaire is substituted.
- This fixture is not suitable for handheld use. It should be mounted in a fixed and safe place.
- Improper handling of the components or the luminaire itself could damage the correct function of this product, thus avoiding the manufacturer's warranty.
- Luminaire is suitable for outdoor use.
- BEYOND LIGHTING FACTORY is not responsible for the improper use or modifications made to the product.
- In case the external flexible cable or cord of the fixture is damaged, to avoid danger it should only be replaced by the manufacturer or equivalent qualified personnel.
- For possible malfunctions, the defective products must be disassembled and delivered to the manufacturer company without any intervention. During the dismantling of the product, the cable insulation should not be damaged. Also, the cable should not be cut too close to the product. Enough cable should be left to take out the fixture.
- The report, which will be formed as a result of the tests to be made regarding the malfunction, will be shared with the customer, and if necessary, the product will be delivered back to the customer by eliminating the problems according to the warranty.