

SWEEP SOLAR BOLLARD

INSTALLATION INSTRUCTION



IP66	IK07	SOLAR	5 YRS Warranty	3 WATTS
------	------	-------	-------------------	------------

Upon request



PHYSICAL

Body	Aluminium
Finish	Powder Coated -Black RAL 9017
Dimensions	Type 1: Ø230xH400mm Type 2: Ø230xH520mm Type 3: Ø230xH920mm

OPTICAL

Diffuser	Polycarbonate
Light distribution	Asymmetric

ELECTRICAL

Light source	LED
Power Consumption	3W
Lumen	SET1 340lm/SET2 320lm/SET3 420lm
CRI	80
CCT	4000K (3000K & 5000K Optional)

SOLAR PANEL

Power	5W
Type	Mono-Crystalline Solar Panel

BATTERY

Type	LifePO4 Battery
Capacity	38.4Wh
Charging Time	>8 Hours
Operating Time	Normal Mode>11 Hours
Operating Temperature	Intelligent Mode 2-3 Days 0°C - +50°C
Humidity	10% - 90%RH

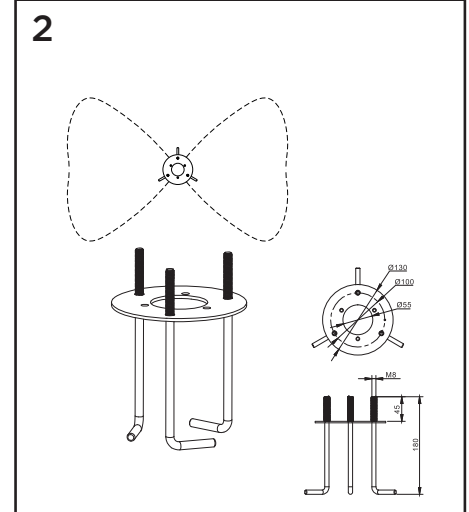
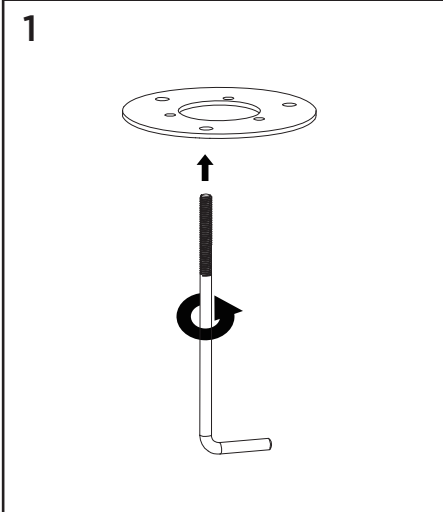
WARRANTY

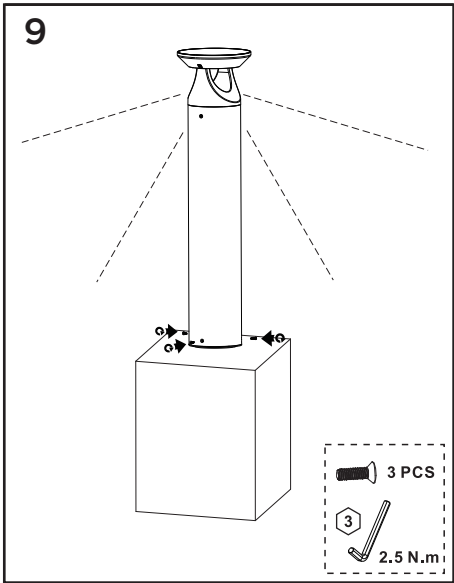
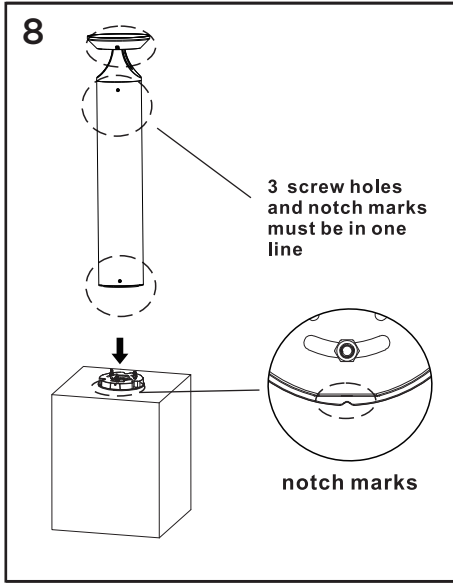
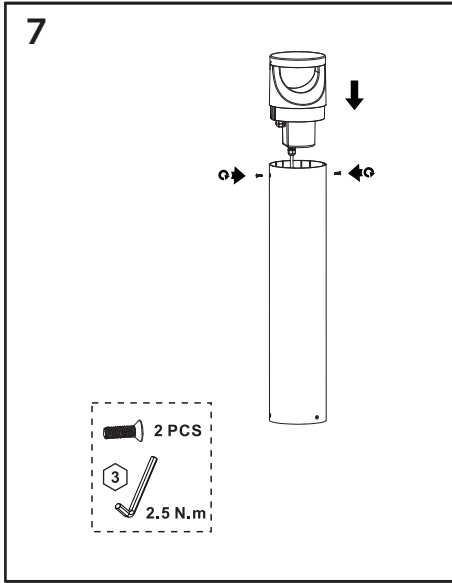
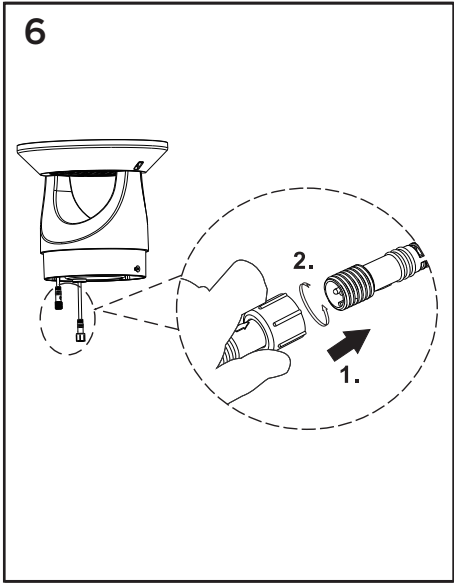
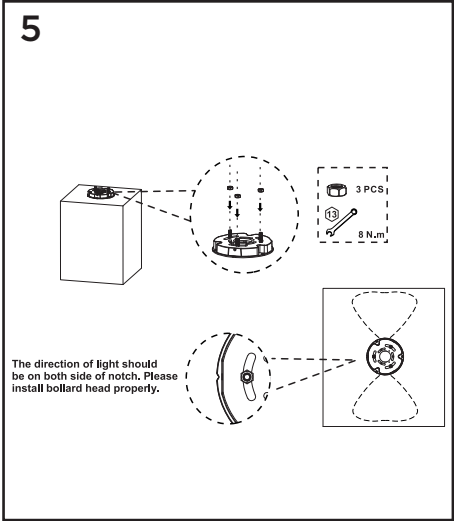
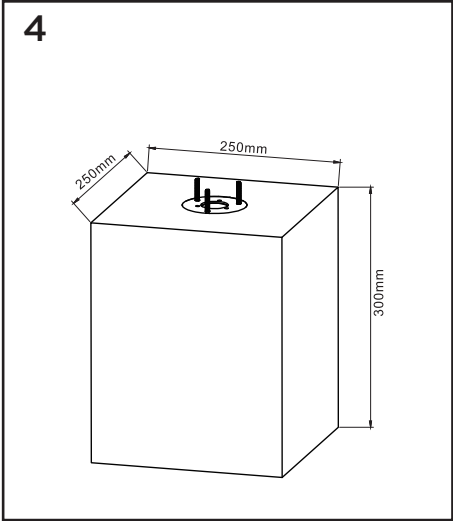
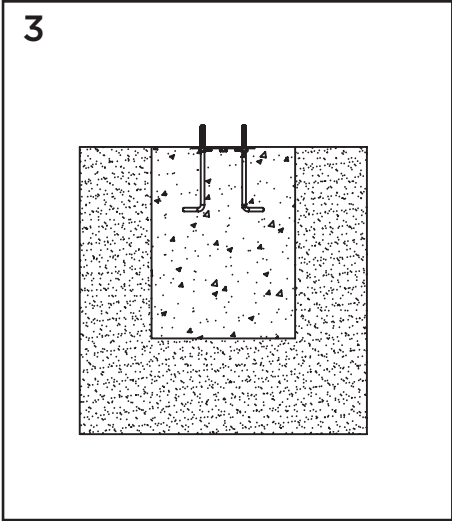
Battery	3 Years
Other Accessories	5 Years

INSTALLATION MANUAL

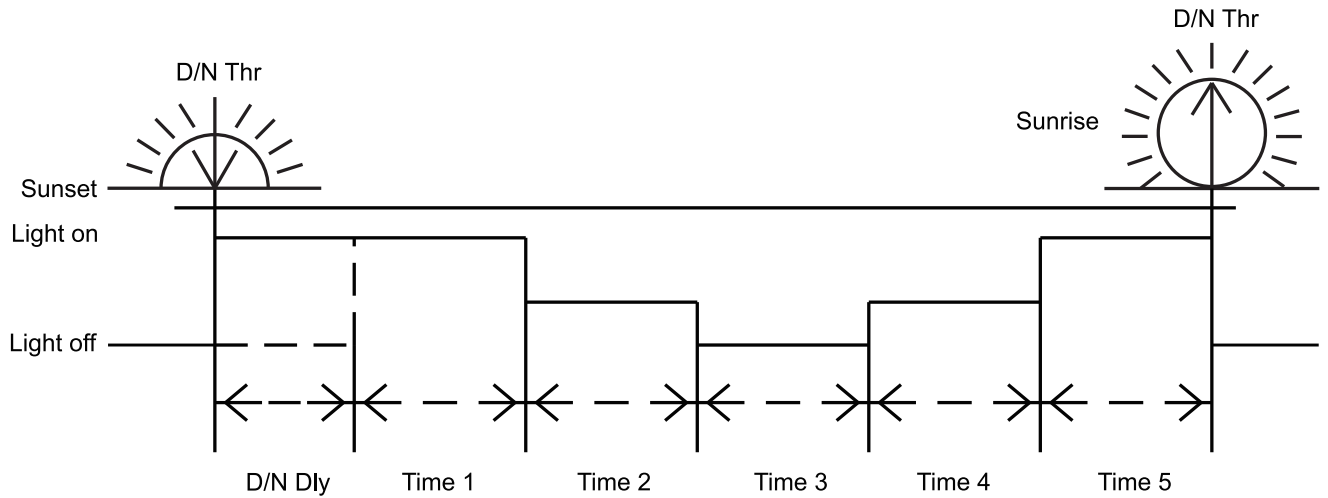
Packing list

	Base plate templates	1PCS
	Screw fixing plate	1PCS
	Screw M5*16	5PCS
	Screw M8	3PCS
	Nut M8	3PCS





FIVE-STAGE NIGHT MODE



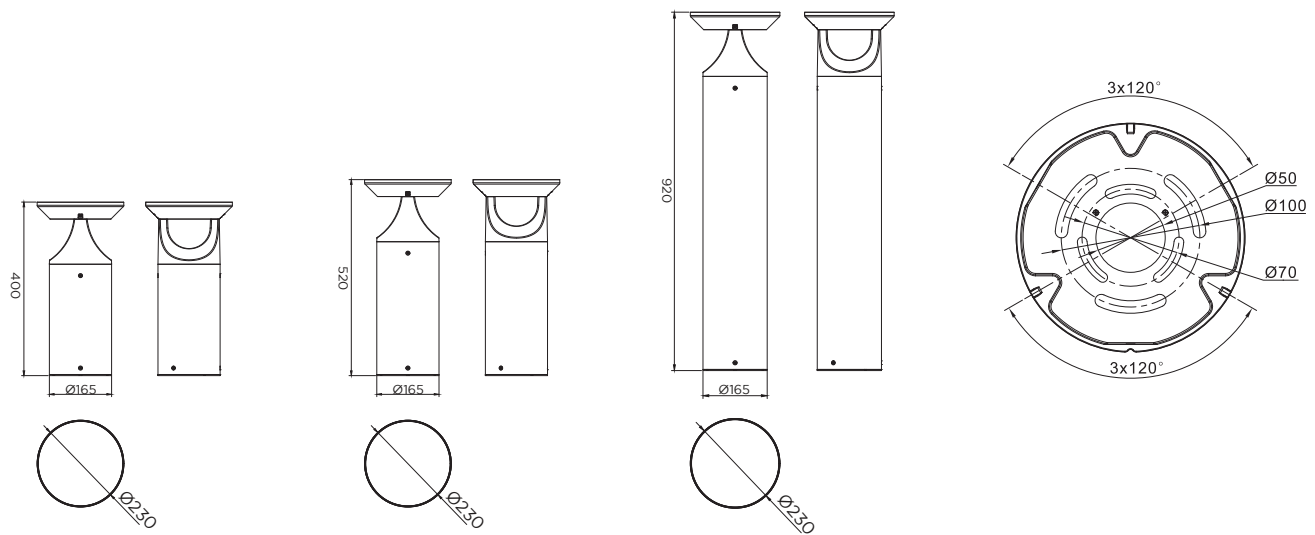
*Set the modes time 1-5 and lighting levels by remote control.

*Avoid being shaded by trees and buildings, or battery charging will be affected.

WORKING MODE							
Lighting Scheme	Time 1	Time 2	Time 3	Time 4	Time 5	Energy consumption	Working hours in rainy days
1 (Factory default)	6Hx30%	0Hx100%	0Hx100%	TOTx0%	1Hx30%	7.4Wh	4-5 Days
2 (Customized lighting scheme)	6Hx30%	6Hx30%	0Hx100%	0Hx0%	0Hx100%	12.6Wh	3-4 Days
3 (Customized lighting scheme)	6Hx50%	6Hx30%	0Hx100%	0Hx0%	0Hx100%	16.8Wh	2-3 Days
4 (Customized lighting scheme)	4Hx70%	4Hx30%	4Hx30%	0Hx0%	0Hx100%	18.2Wh	1-2 Days
5 (Customized lighting scheme)	4Hx100%	2Hx50%	0Hx100%	0Hx0%	0Hx100%	17.5Wh	2-3 Days
6 (Customized lighting scheme)	2Hx50%	4Hx30%	0Hx100%	TOTx20%	1Hx30%	12.3Wh	3-4 Days
7 (Customized lighting scheme)	4Hx80%	2Hx30%	0Hx100%	TOTx0%	1Hx80%	16.1Wh	2-3 Days

*The table of rainy days is for reference only, the actual working days is subject to the local sunshine conditions.

TECHNICAL DRAWING



SAFETY INSTRUCTIONS:

- Please read this instruction carefully before the commencement of installation and pass it on to the user of the equipment.
- The installation must be carried out by qualified personnel.
- Disconnect the main voltage, before starting the installation work.
- The light source of this luminaire is not replaceable when the light source reaches the end of its useful life, the entire luminaire is substituted.
- This fixture is not suitable for handheld use. It should be mounted in a fixed and safe place.
- Improper handling of the components or the luminaire itself could damage the correct function of this product, thus avoiding the manufacturer's warranty.
- Luminaire is suitable for outdoor use.
- BEYOND LIGHTING FACTORY is not responsible for the improper use or modifications made to the product.
- In case the external flexible cable or cord of the fixture is damaged, to avoid danger it should only be replaced by the manufacturer or equivalent qualified personnel.
- For possible malfunctions, the defective products must be disassembled and delivered to the manufacturer company without any intervention. During the dismantling of the product, the cable insulation should not be damaged. Also, the cable should not be cut too close to the product. Enough cable should be left to take out the fixture.
- The report, which will be formed as a result of the tests to be made regarding the malfunction, will be shared with the customer, and if necessary, the product will be delivered back to the customer by eliminating the problems according to the warranty.