

# SIDRA ADJUSTABLE SERIES

## INSTALLATION INSTRUCTION



Upon request



### PHYSICAL

Body	Anodized die-cast Aluminum
Frame	Stainless Steel 316L
Recessing tube	Aluminum Alloy

### OPTICAL

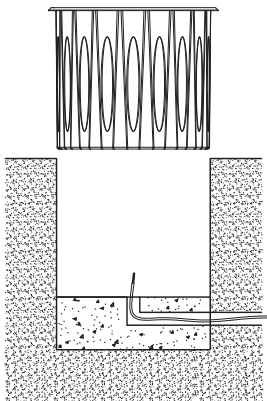
Diffuser	19mm Tempered Glass
Aiming	Adjustable -5° - +15°
CRI	>80

### ELECTRICAL

CCT	3000K - 4000K - 5000K
Driver	Integrated LED driver   220-240V   50/60Hz
Ambient Temp.	-25°C - 50°C
Ambient Humidity	10% - 90%

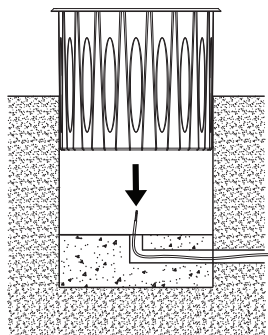
## INSTALLATION MANUAL

1



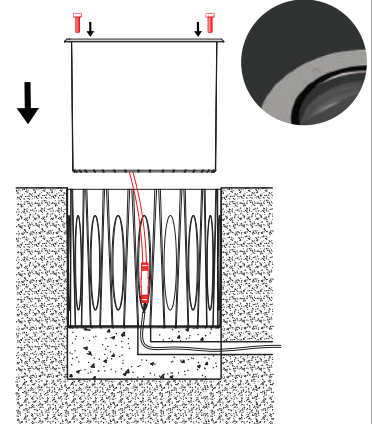
Open the hole for the fixture to be mounted. After preparing the drainage, fill the hole with gravel up to 20-30 cm considering a provision for power cable. To check the drainage, pour a bucket of water into the open pit and make sure that the water is drained within 15-20 minutes. Take attention with the position level being careful to place a suitable drainage bed.

2



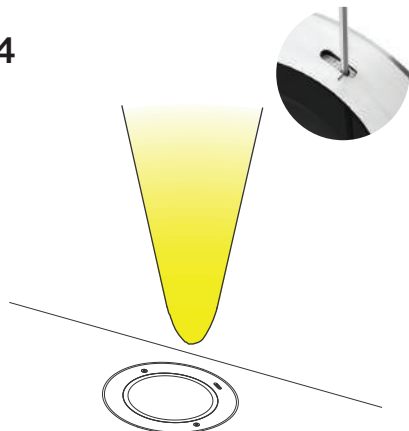
Place the recessed box in the hole.

3



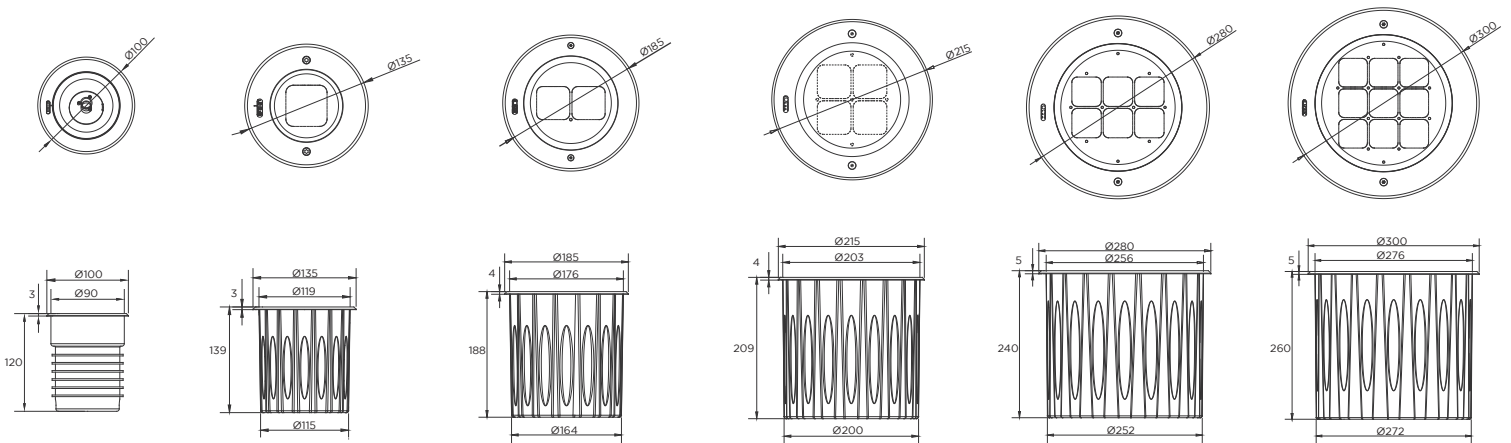
Connect the main power cable to the cable of the luminaire with the use of an IP68 connector or special insulation material. Install the lamp body of LED inground light and fix the recessing box and lamp body by screws.

4



Adjust the fixture's direction as your requirement using allen key.

# TECHNICAL DRAWING



## ELECTRICAL CONNECTION

CABLES OUT FOR DIFFERENT COLOR TEMPERATURE AND ELECTRICAL CLASS			
VERSION 1		VERSION 2	
Single Color		RGB (DMX512)	
Class I	L, N, E	Class III	Power cable: 2pin1 V+ /Red wire, V- /Blue wire
Class II DC36V DC24V DC12V	V+ /Red wire V- /Blue wire		DMX IN cable: 3pin1 ■DMX+ Red wire ■DMX- Blue wire ■GND Green wire

### NOTES:

The fixture must ensure a secure connection with the mounting surface, and it's important that the screws are not loose. There are no particular specifications regarding the installation direction.

### REMARKS:

Upon receiving the fixture, please inspect it to identify the corresponding version, and verify its Color Temperature, Electrical class, and cable outlet configuration.

If you receive fixtures classified as class III, please utilize a transformer for illumination. Additionally, when you obtain the RGB DMX512 fixture, ensure precise connection of the DMX cables to avoid any disruption to normal operations.

### SAFETY INSTRUCTIONS:

- Please read this instruction carefully before the commencement of installation and pass it on to the user of the equipment.
- The installation must be carried out by qualified personnel.
- Disconnect the main voltage, before starting the installation work.
- The light source of this luminaire is not replaceable when the light source reaches the end of its useful life, the entire luminaire is substituted.
- This fixture is not suitable for handheld use. It should be mounted in a fixed and safe place.
- Improper handling of the components or the luminaire itself could damage the correct function of this product, thus avoiding the manufacturer's warranty.
- Luminaire is suitable for outdoor use.
- BEYOND LIGHTING FACTORY is not responsible for the improper use or modifications made to the product.
- In case the external flexible cable or cord of the fixture is damaged, to avoid danger it should only be replaced by the manufacturer or equivalent qualified personnel.
- For possible malfunctions, the defective products must be disassembled and delivered to the manufacturer company without any intervention. During the dismantling of the product, the cable insulation should not be damaged. Also, the cable should not be cut too close to the product. Enough cable should be left to take out the fixture.
- The report, which will be formed as a result of the tests to be made regarding the malfunction, will be shared with the customer, and if necessary, the product will be delivered back to the customer by eliminating the problems according to the warranty.