

# QUADRO back-lit SERIES

## INSTALLATION INSTRUCTION

IP20 IP44	IP65 IP65	220-240V	5 YRS Warranty	40 WATTS	LOW GLARE	UGR <19
--------------	--------------	----------	-------------------	-------------	--------------	------------

Upon request

1-10V	DALI
-------	------

### PHYSICAL

Body	Aluminum(Frame) / SPCC (Backside)
Finish	Powder coated (White)

### OPTICAL

Diffuser	PS
Lens	PMMA
Light Emission	Direct
Beam Angle	90° (Micro Prismatic) / 120° (Opal)

### ELECTRICAL

Light source	LED (Lumileds)
CRI	>80
CCT	3000K - 4000K - 5000K - 6000K
Driver	Electronic included   50-60Hz 220-240VAC Non-Dimmable Driver 1-10V dimming or DALI on request
Ambient Temp.	-40°C - 45°C
Ambient Humidity	10% - 90%



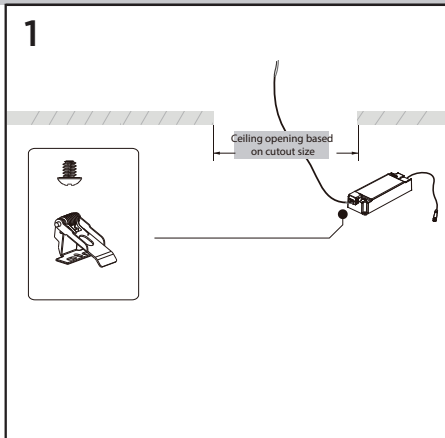
Range	IP	Dimensions (mm)	Lumen(lm) OPAL	Lumen(lm) MICRO PRISMATIC UGR<19
QUADRO back-lit-1.1	44	L595xW595xH32	4800lm	4472lm
QUADRO back-lit-1.2	44	L595xW595xH32	5600lm	5040lm
QUADRO back-lit-1.3	44	L595xW595xH32	6400lm	5800lm
QUADRO back-lit-1.4	65	L595xW595xH34	4800lm	-

### RECESS MOUNTED FOR GYPSUM BOARD CEILING

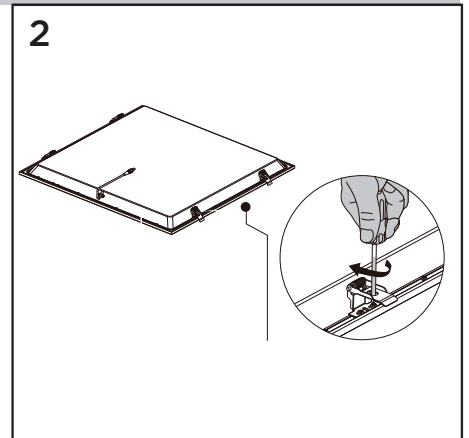
Accessory: Recessing clips



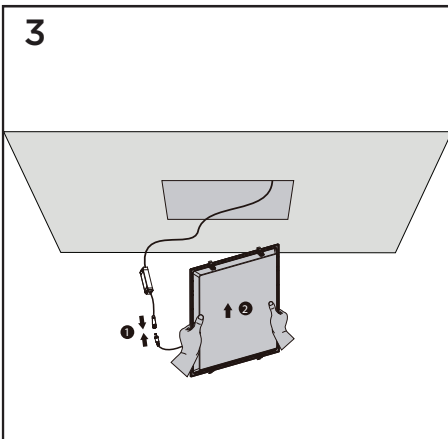
1



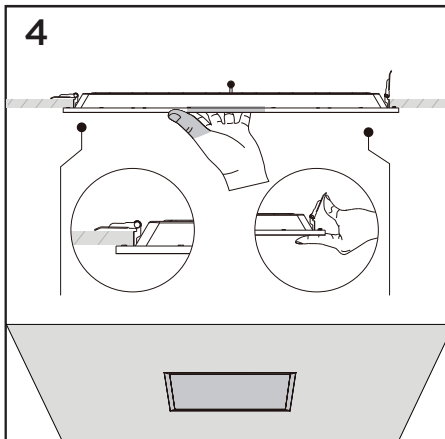
2



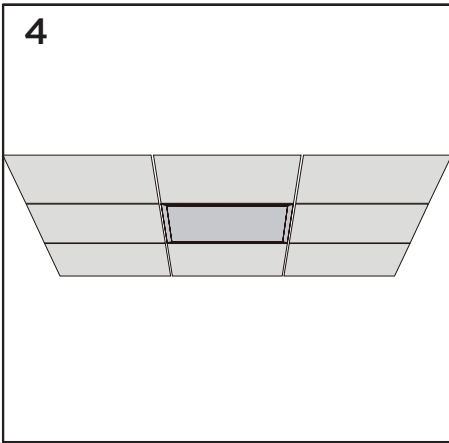
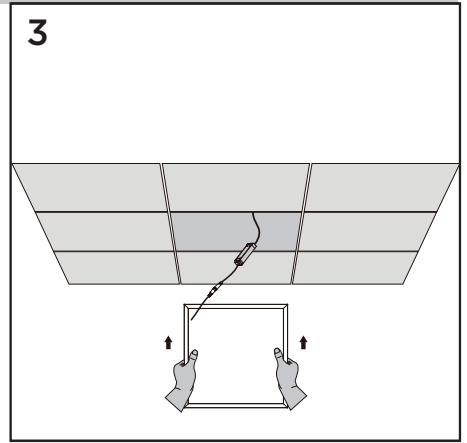
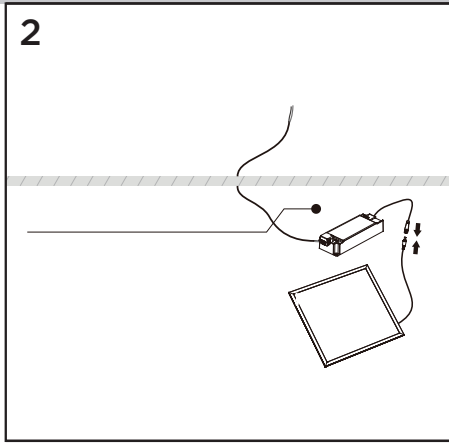
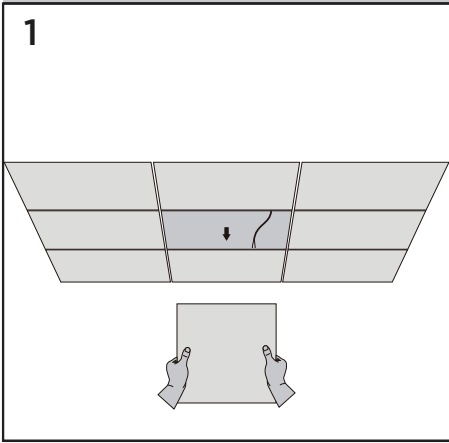
3



4

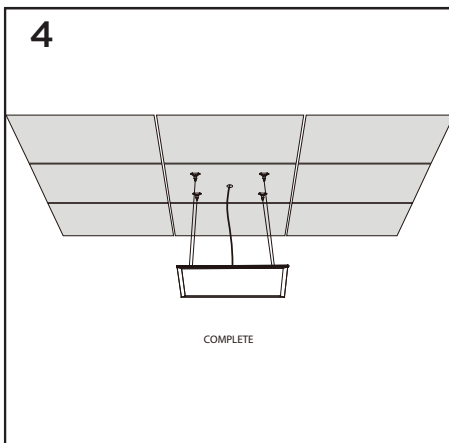
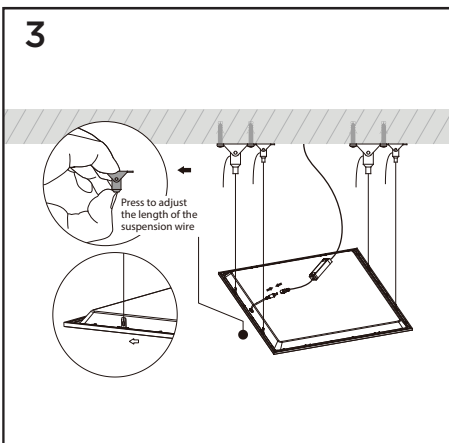
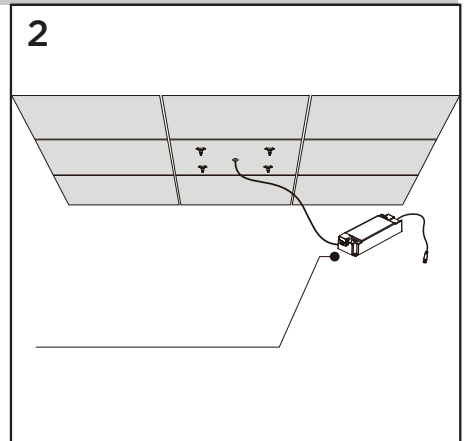
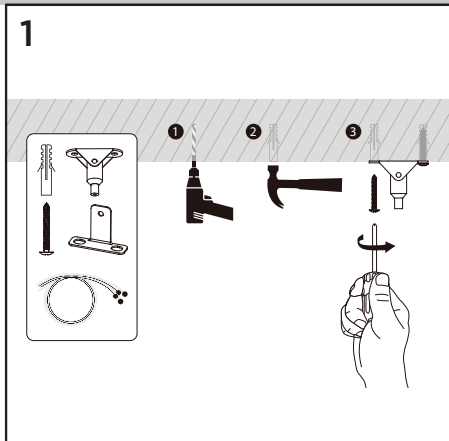


RECESS MOUNTED FOR GYPSUM BOARD TILES



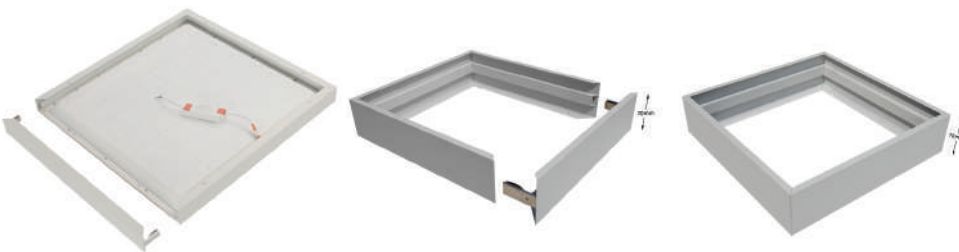
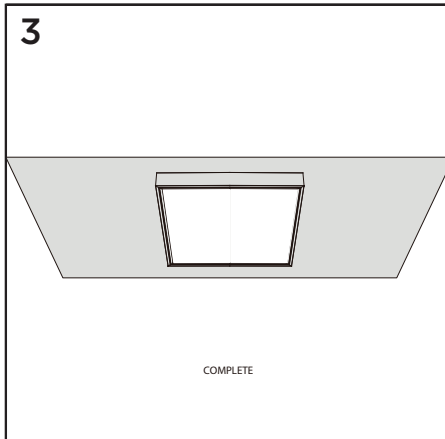
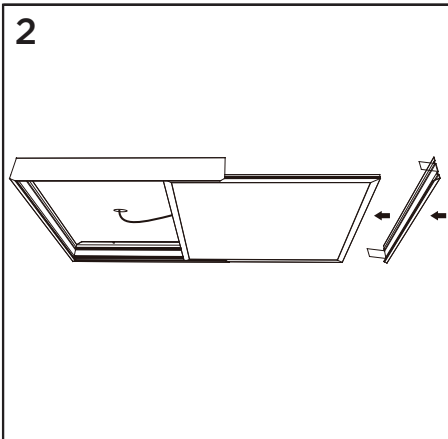
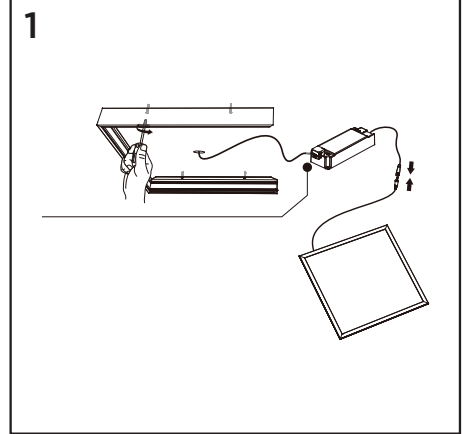
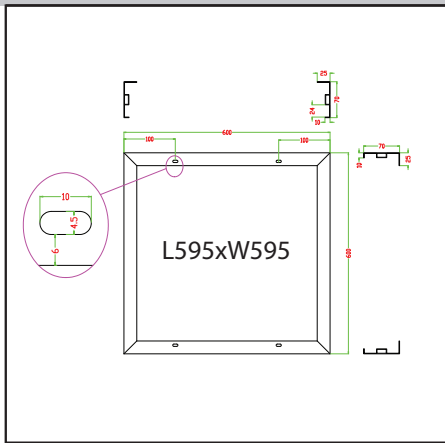
PENDANT MOUNTED

Accessory: Suspension kit



## SURFACE MOUNTED

Accessory: Surface mounting aluminum frame



### SAFETY INSTRUCTIONS:

- Please read this instruction carefully before the commencement of installation and pass it on to the user of the equipment.
- Disconnect the main voltage, before starting the installation work.
- The light source of this luminaire is non-user replaceable which can only be replaced by Beyond Lighting Factory, our service agent, or similar qualified person (for QUADRO back-lit-1.1, QUADRO back-lit-1.2 and QUADRO back-lit-1.3).
- The light source of this luminaire is not replaceable when the light source reaches the end of its useful life, the entire luminaire is substituted (for QUADRO back-lit-1.4).
- Luminaire is not suitable for covering with thermally insulation material.
- This fixture is not suitable for handheld use. It should be mounted in a fixed and safe place.
- Improper handling of the components or the luminaire itself could damage the correct function of this product, thus avoiding the manufacturer's warranty.
- Luminaires are suitable for indoor use only.
- BEYOND LIGHTING FACTORY is not responsible for the improper use or modifications made to the product.
- In case the external flexible cable or cord of the fixture is damaged, to avoid danger it should only be replaced by the manufacturer or equivalent qualified personnel.
- For possible malfunctions, the defective products must be disassembled and delivered to the manufacturer company without any intervention. During the dismantling of the product, the cable insulation should not be damaged. Also, the cable should not be cut too close to the product. Enough cable should be left to take out the fixture.
- The report, which will be formed as a result of the tests to be made regarding the malfunction, will be shared with the customer, and if necessary, the product will be delivered back to the customer by eliminating the problems according to the warranty.