

KOOT GRAZER 1 SERIES

INSTALLATION INSTRUCTION



IP66	24Vdc	5 YRS Warranty	18 - 30 WATTS
Upon request			
1-10V	DALI	DMX	MONO COLOR
			RGB
			RGBW

PHYSICAL

Body	Extruded Aluminum
Finish	Polyester powder coating with phosphochromating pre-finish Grey/Black (Other colors upon request)
Screws	Stainless Steel 316
End caps	Die-cast Aluminum
Gasket	Silicone rubber
Dimensions	L1000xW42xH87 mm

OPTICAL

Diffuser	Tempered Glass
Beam Angle	10°,15°,45°,90°,10x30°,20x45°,15x65°,15x45°
Bracket	Adjustable
CRI	>80

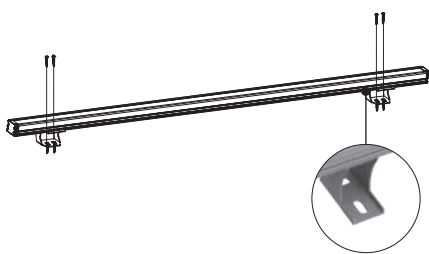
ELECTRICAL

Light source	LED CREE
Efficacy	104 lm/W
CCT	3000K, 4000K, 5000K, RGB, RGBW
Driver	24Vdc remote driver to be ordered separately
Ambient Temp.	-25°C - 50°C
Ambient Humidity	10% - 90%
Light source Life	50,000 h

Range	Power (W)	Lumen (lm)
KOOT GRAZER 1.1	18W	1872lm
KOOT GRAZER 1.2	24W	2496lm
KOOT GRAZER 1.3	30W	3120lm

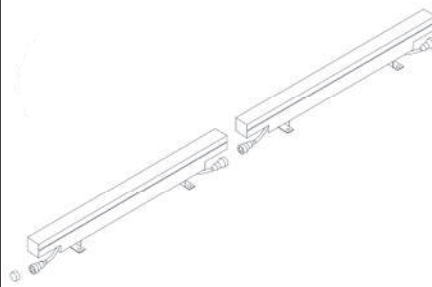
INSTALLATION INSTRUCTION

1



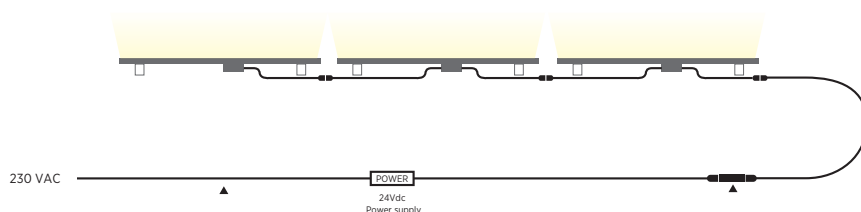
Place the luminaire in the desired position, fix the luminaire to the floor using plugs (fisher type)

2



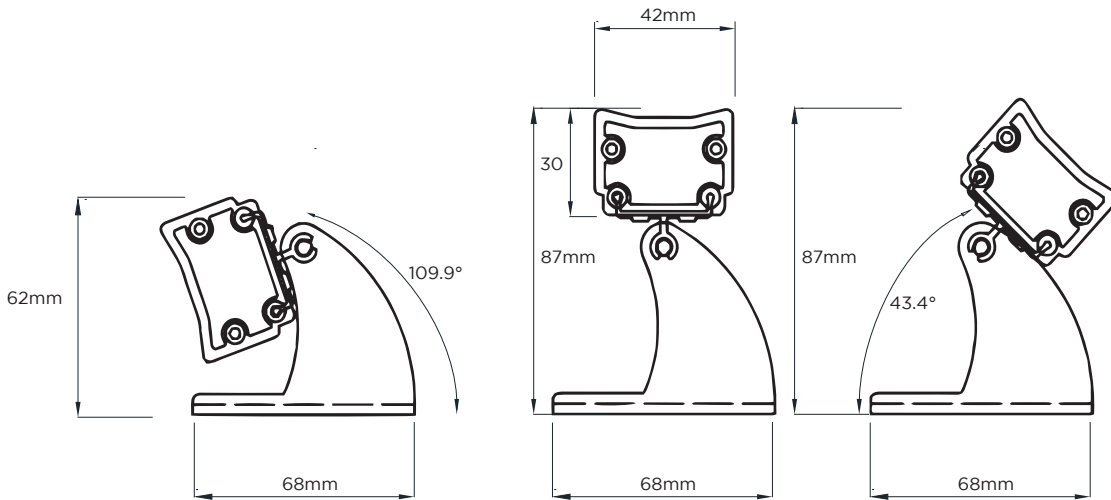
For chained placement pull the luminaire directly next to the previous

3



Only be operated using a suitable 24Vdc LED driver.

TECHNICAL DRAWING



SAFETY INSTRUCTIONS:

- Please read this instruction carefully before the commencement of installation and pass it on to the user of the equipment.
- The installation must be carried out by qualified personnel.
- Not be exposed to strong mechanical loads or to strong contamination.
- Disconnect the main voltage, before starting the installation work.
- The light source of this luminaire is not replaceable when the light source reaches the end of its useful life, the entire luminaire is substituted.
- This fixture is not suitable for handheld use. It should be mounted in a fixed and safe place.
- Improper handling of the components or the luminaire itself could damage the correct function of this product, thus avoiding the manufacturer's warranty.
- Luminaire is suitable for outdoor use.
- BEYOND LIGHTING FACTORY is not responsible for the improper use or modifications made to the product.
- In case the external flexible cable or cord of the fixture is damaged, to avoid danger it should only be replaced by the manufacturer or equivalent qualified personnel.
- For possible malfunctions, the defective products must be disassembled and delivered to the manufacturer company without any intervention. During the dismantling of the product, the cable insulation should not be damaged. Also, the cable should not be cut too close to the product. Enough cable should be left to take out the fixture.
- The report, which will be formed as a result of the tests to be made regarding the malfunction, will be shared with the customer, and if necessary, the product will be delivered back to the customer by eliminating the problems according to the warranty.