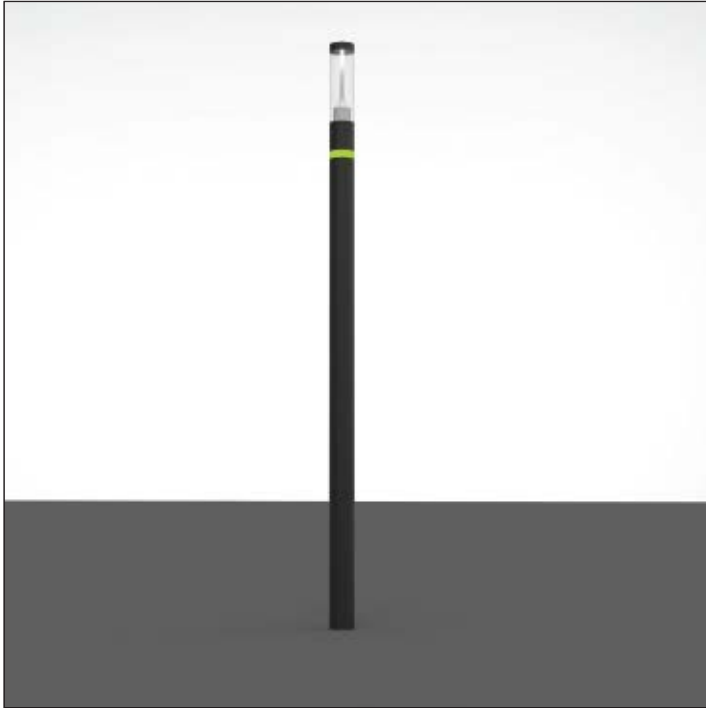


FLAME POLE SERIES



IP65	IK08	220-240V	5 YRS Warranty	30-50 WATTS
------	------	----------	-------------------	----------------

Upon request

1-10V	DALI
-------	------

PHYSICAL

Body	Die Casting Aluminum
Finish	Powder coating
Dimensions	ø170xH540mm

OPTICAL

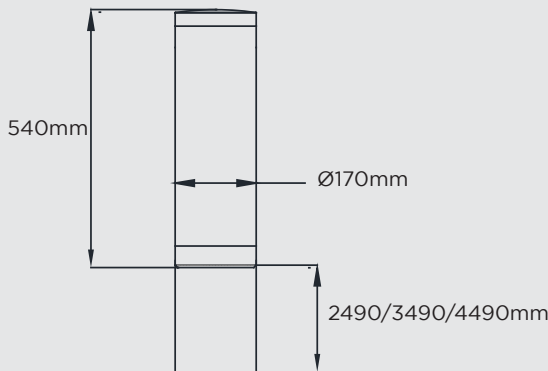
Diffuser	Opal Polycarbonate
Light distribution	2 ways light distribution

ELECTRICAL

Light source	LED
CRI	>70
CCT	3000K, 4000K, Amber color
Driver	Electronic included 50-60Hz 220-240VAC Non-Dimmable Driver 1-10V dimming or DALI on request
Operating Temperature	-35°C ~ +50°C
Humidity	10% - 95%RH

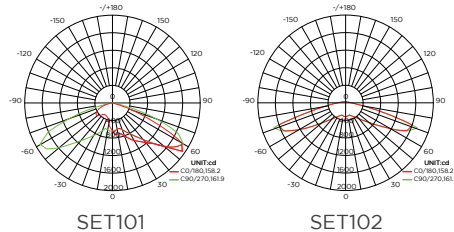
FLAME POLE series of poles with minimal design available in various heights. Designed to illuminate paths, parks, walkways and gardens without glaring. The external screws are in stainless steel 316L.

Available 3 to 6 meters height.



Range	Power (W)	Lumen (lm)
FLAME POLE 1	30W	3900lm
FLAME POLE 2	40W	5200lm
FLAME POLE 3	50W	6500lm

AVAILABLE OPTICS



ORDERING CODE

SERIES NAME - PRODUCT RANGE - CCT - OPTICS - CONTROL

FLAME	1	30 3000K	1 SET101	1 ON-OFF
	2	40 4000K	2 SET102	2 1-10V
	3	AMBER		3 DALI