

ECO SLIM SOLAR BOLLARD



IP65	IK07	SOLAR	5 YRS Warranty	3 WATTS
------	------	-------	-------------------	------------

Upon request

1-10V	DALI
-------	------

PHYSICAL

Body	Aluminum Alloy High Quality ABS
Finish	Powder Coated
Dimensions	L200xW100xH610mm

OPTICAL

Diffuser	Polycarbonate
Light distribution	Asymmetric 2 ways

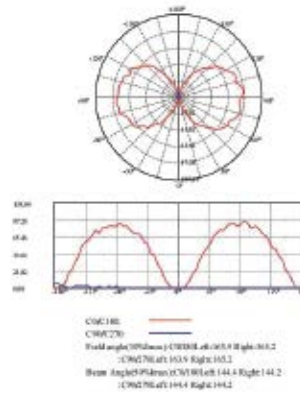
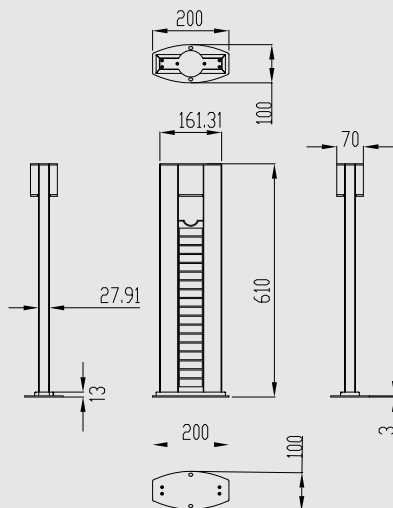
ELECTRICAL

Light source	LED
Lumen	500lm
CCT	6000K or 3000K (Optional)
Li-ion Battery	5200mAh
Charging Time	6-8hrs by bright sunshine
Operating Time	3-5nights after fully charged
Operating Temperature	-25°C ~ +65°C
Humidity	10% ~ 90%RH

WARRANTY

Battery	3 Years
Other Accessories	5 Years

ECO SLIM SOLAR bollard represents a groundbreaking LED solar bollard that has been elevated in terms of aesthetics and creativity. With an IP65 rating, and UV-resistant PC material, this bollard, featuring an architectural design, has gained significant popularity in various settings such as pathways, gardens, sidewalks, buildings and more.



ORDERING CODE

SERIES NAME - CCT - CONTROL
 ECO SLIM SOLAR 30 3000K | ON-OFF
 60 6000K