

SIDRA MINI 2



PHYSICAL

Body	Stainless Steel 316L
Frame	Stainless Steel 316L
Finish	Stainless Steel 316L
Sleeve	Polycarbonate
Dimensions	Ø50xH52mm

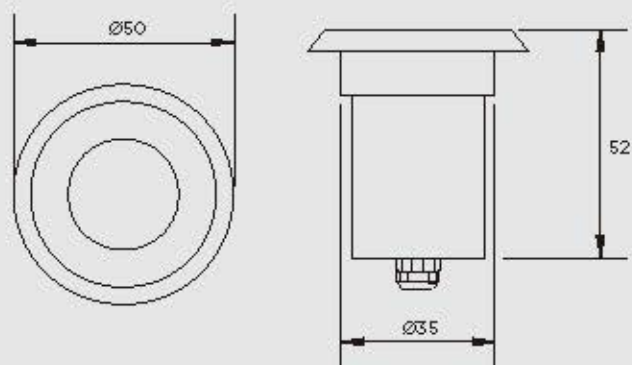
OPTICAL

Diffuser	Tempered clear glass/Tempered frosted glass
Light Emission	Symmetrical
Aiming	Fixed
Beam Angle	12.5°, 20°, 30°, 45°(clear)/120° (frosted)

ELECTRICAL

Lamp	LED 1 pcs CREE
Lumen	98lm
Color Temperature	3000K - 4000K
Gear	24Vdc
Ambient Temp.	-25°C ~ 50°C
Ambient Humidity	10% ~ 90%

SIDRA MINI series recessed lighting fixtures is characterized by a small dimension. Available in various sizes, they are designed as walkway and step light with diffused light. The body and diffuser closure ring are made of aluminium silicone gaskets to ensure maximum sealing in all operating and temperature conditions. The external finishing frame is in stainless steel.



ORDERING CODE

SERIES NAME - CCT - OPTICS - CONTROL

SIDRA MINI 2	27 2700K	12.5 12.5°	1 ON-OFF
	30 3000K	20 20°	2 1-10V
	40 4000K	30 30°	3 DALI
	65 6500K	45 45°	4 DMX512
	RGB	120 120°	