

# SIDRA MINI 1



## PHYSICAL

Body	Stainless Steel
Frame	Stainless Steel
Finish	Stainless Steel
Dimensions	Ø30xH47mm

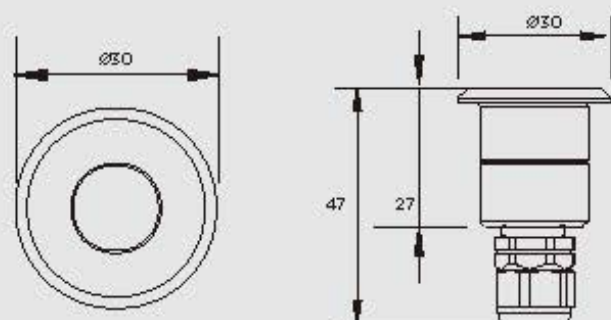
## OPTICAL

Diffuser	Frosted tempered glass
Light Emission	Symmetrical
Aiming	Fixed
Beam Angle	120°

## ELECTRICAL

Lamp	LED 1 pcs CREE
Lumen	15lm
Color Temperature	2700K, 3000K, 4000K, 6000K
CRI	>80
Gear	24Vdc
Ambient Temp.	-25°C / 50°C
Ambient Humidity	10% / 90%

**SIDRA MINI** series recessed lighting fixtures is characterized by a small dimension. Available in various sizes, they are designed as walkway and step light with diffused light. The body and diffuser closure ring are made of aluminium silicone gaskets to ensure maximum sealing in all operating and temperature conditions. The external finishing frame is in stainless steel.



## ORDERING CODE

SERIES NAME - CCT - CONTROL

SIDRA MINI 1	27 2700K	1 ON-OFF
	30 3000K	2 1-10V
	40 4000K	3 DALI
	60 6000K	