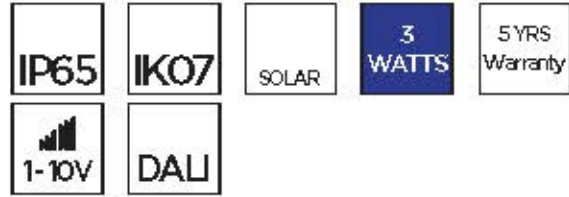


# ECO SLIM SOLAR

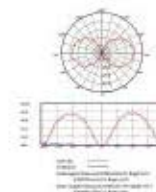


PHYSICAL	
Body	Aluminum Alloy High Quality ABS
Finish	Powder Coated
Dimensions	L200xW100xH610mm

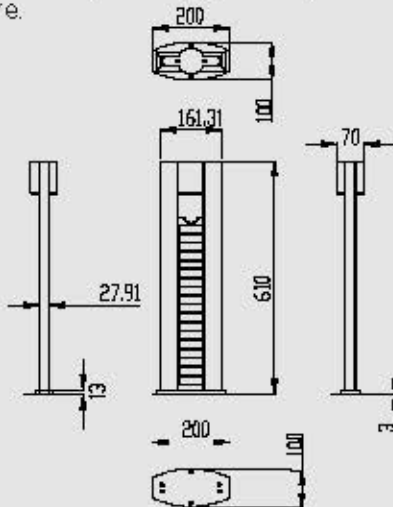
OPTICAL	
Diffuser	Polycarbonate
Light distribution	Asymmetric 2 ways

ELECTRICAL	
Lamp	LED
Lumen	500lm
Color Temperature	6000K or 3000K (Optional)
Li-ion Battery	5200mAh
Charging Time	6-8hrs by bright sunshine
Operating Time	3-5nights after fully charged
Operating Temperature	-25°C ~ +65°C
Humidity	10% ~ 90%RH

WARRANTY	
Battery	3 Years
Other Accessories	5 Years



**ECO SLIM SOLAR** bollard represents a groundbreaking LED solar bollard that has been elevated in terms of aesthetics and creativity. With an IP65 rating, and UV-resistant PC material, this bollard, featuring an architectural design, has gained significant popularity in various settings such as pathways, gardens, sidewalks, buildings and more.



## ORDERING CODE

SERIES NAME - CCT - CONTROL

ECO SLIM SOLAR    30 3000K | ON-OFF  
 60 6000K